

EVLS Hazard•Gard®

Compact & Rugged, Explosionproof Luminaire

Class I, Division 1, Groups B (with suffix GB), C & D

Class I, Zone 1, Group IIB + H₂ (with suffix GB)

Class II, Class III & Simultaneous Presence

Wet locations (UL1598), Marine locations (UL1598A), Type 4X, IP66



- **High-Pressure Sodium**
- **Metal Halide**
- **Pulse Start Metal Halide**

EVLS Hazard•Gard®

Compact & Rugged, Class I, Zone 1, Div.1 Explosionproof Luminaire



Introducing a compact, affordable, explosionproof luminaire that has the best overall temperature performance ratings in its class!

Cooper Crouse-Hinds® EVLS Hazard•Gard is perfect as a general area lighting workhorse where space constraints exist. EVLS Hazard•Gard is easy to install, 175 watts and less, has select options that are just right for your budget — AND it's Class I, Division 1, Group B with GB option!



FEATURES



Two Start Acme Threads
(see diagram below)



Quick Connect Design




Adapter Module Available

- Compact and rugged
- Two start Acme threads for mounting modules and globe attachment
- Quick-connect design facilitates installation – install and wire the mounting module, and then just screw-in your luminaire
- Best overall T-rating in the industry for a medium-base HID lamp
- Factory sealed
- An adapter module is available for direct connection to existing Hazard•Gard modules such as the EV22 ceiling mount

BENEFITS

- A Division 1 luminaire that fits in tight spaces
- Smooth turning two start Acme threads that save time and eliminate installation damage
- Saves money, and electrical connection is made simple by screwing the luminaire into the threads so any maintenance personnel can complete the installation
- Use in elevated ambient and light the most volatile areas of your facility – optimal safety in your high-risk areas
- The new Hazard•Gard is factory wired and sealed with no external sealing fittings required in Groups B, C & D (external sealing fitting is required for the stanchion mount luminaire for Class I, Division 1, Group C applications)
- Flexibility allows you to use existing Cooper Crouse-Hinds mounting modules with the same lighting and safety performance levels

Two Start Acme Threads

Universal Threads 

Acme Threads 



Petrochemical Facilities



Oil Rigs



Waste Water Treatment



Pharmaceutical Manufacturing

APPLICATIONS

Cooper Crouse-Hinds EVLS Hazard•Gard lighting fixtures are used for general lighting and task lighting in:

- Areas where flammable or explosive vapors or gases are present
- Petroleum refineries; chemical, petrochemical and pharmaceutical plants; oil terminals; gas plants
- Drilling platforms and other coastal and offshore hazardous areas
- Confined spaces or heavy process industry facilities
- Waste treatment facilities

STANDARD MATERIALS

- Bodies, mounting modules and cast guards – copper-free aluminum
- Wire guard – stainless steel
- Globe – heat- and impact-resistant glass
- Gaskets – silicone and neoprene

STANDARD FINISHES

- Epoxy powder coat paint

CERTIFICATION & COMPLIANCES

UL (844) and cUL Listed (CSA C22.2 No. 137) for:

- Class I, Division 1, Groups B (with suffix GB), C & D
- Class I, Zone 1, Group IIB + H₂ (with suffix GB)
- Class II, Class III & Simultaneous Presence
- Wet locations (UL1598), Marine locations (UL1598A), Type 4X, IP66

RATINGS (ELECTRICAL SIZE)

Sources/Wattages:

- HID Medium Base (initial offering)
HPS: 50, 70, 100, 150 watt
Metal Halide: 70, 100, 175 watt
Pulse Start Metal Halide: 150, 175 watt

Voltages:

- Multi-tap (120, 208, 240, 277V/60 Hz)
- 480V/60 Hz
- Tri-tap (120, 277, 347V/60 Hz)
- 220V/60 Hz
- 220/240V (or 230V)/50 Hz

Transformer Types:

- HX-HPF Standard
- CWA Standard on 175W

CWA Constant Wattage Autotransformer

CWI Constant Wattage Insulation Transformer

Available for HPS and MH, for most voltages and wattages

(Additional voltages available on request.)

Conduit Entries:

- 3/4" and 1" NPT – pendant, ceiling and wall mount
- 1-1/2" NPT – stanchion

OPTIONS

Description

- | | |
|--------------------------|----|
| ■ Instant Restrike (HPS) | IR |
| ■ Ballast-Gard (HPS) | BG |
| ■ Group B Suitability | GB |

ACCESSORIES

Description

- | | |
|-------------------|---------------|
| ■ Dome Reflector | RD725 |
| ■ Angle Reflector | RA725 |
| ■ Guard | EV502 or P515 |

Mounting Modules

NEW MOUNTING MODULES

Existing For EVI, EVLP, EVM (must use EVSA adapter)			For EVLS Only	
Type	Conduit	Catalog Number	Conduit	Catalog Number
Adapter		EVSA		
Pendant	¾" 1"	EVMP2 EVMP3	¾" 1" 25mm 32mm	EVSP2 EVSP3 EVSP25 EVSP32
Ceiling & Wall Box	¾" 1"	EV22 EV33	¾" 1" 25mm 32mm	EVSC2 EVSC3 EVSC25 EVSC32
Wall Bracket Arm	Use EV22 or EV33 box with	EV87	¾" 1" 25mm 32mm	EVSW2 EVSW3 EVSW25 EVSW32
Stanchion	1¼"	EVMJ4	1½"	EVSJ5
Bulkhead	1¼"	EVJ2	¾" 25mm	EVSB2 EVSB25

Mounting Modules for EVLS Only — Two Start Acme Threads



Adapter — EVSA



Pendant — EVSP



Ceiling — EVSC2



Bulkhead — EVSB2



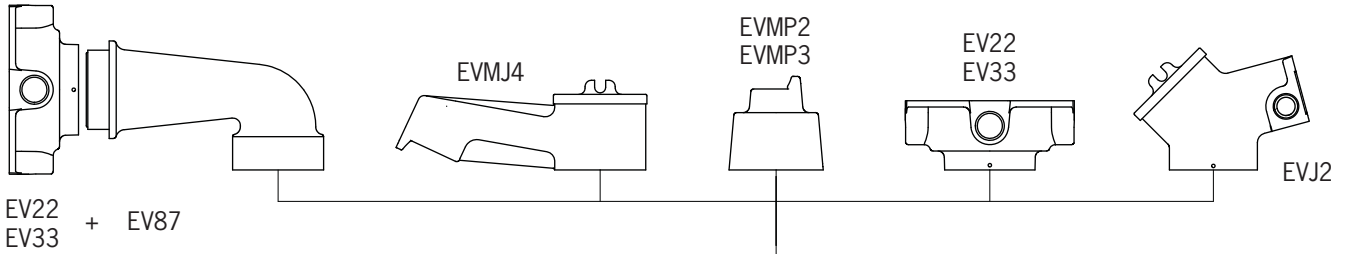
Stanchion — EVSJ5



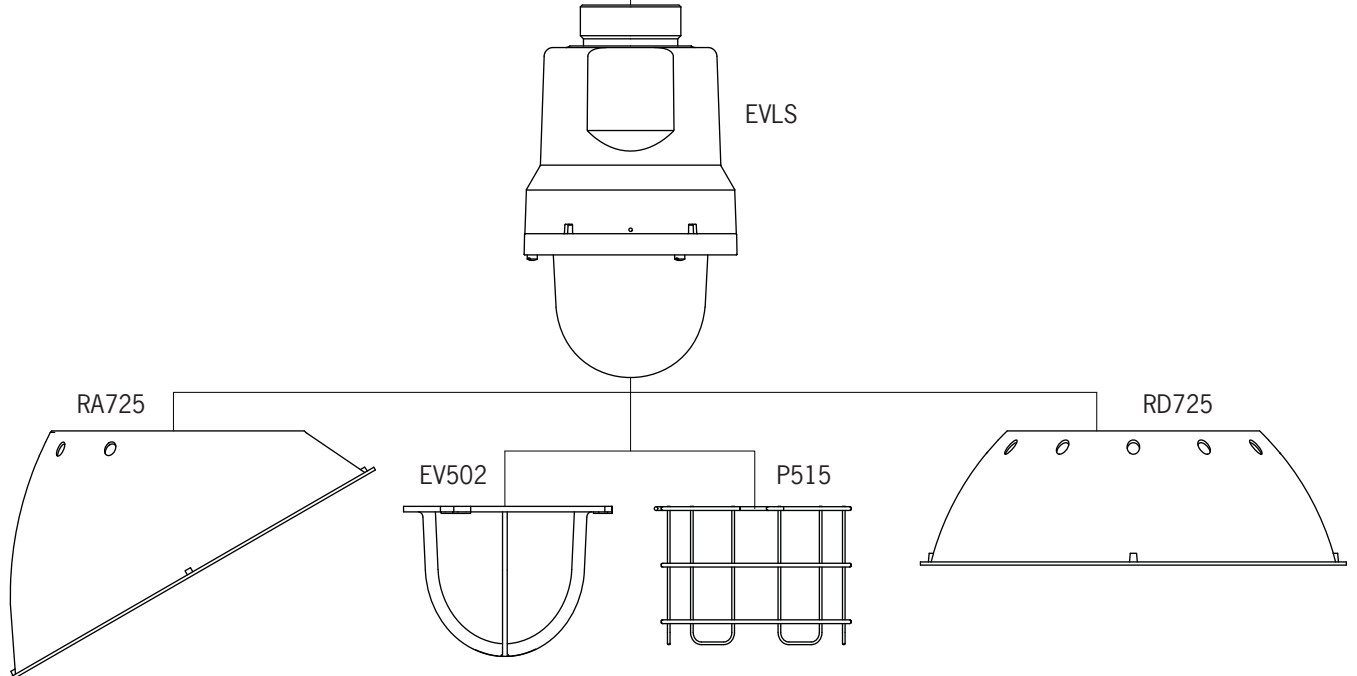
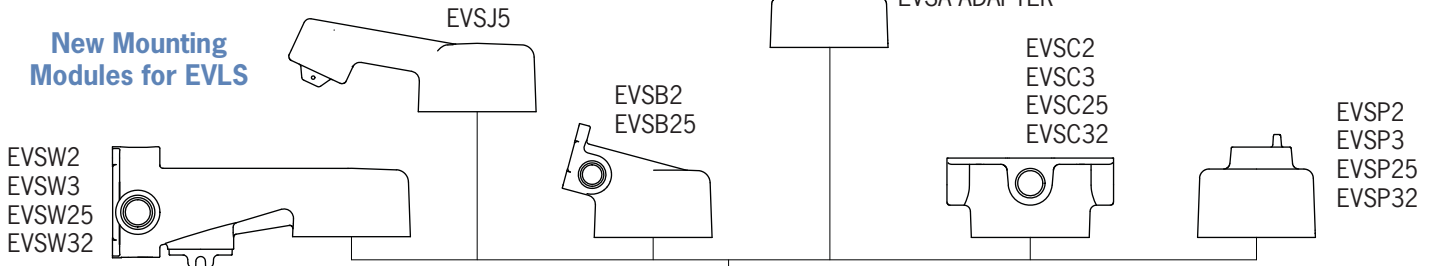
Wall — EVSW2

Family Tree

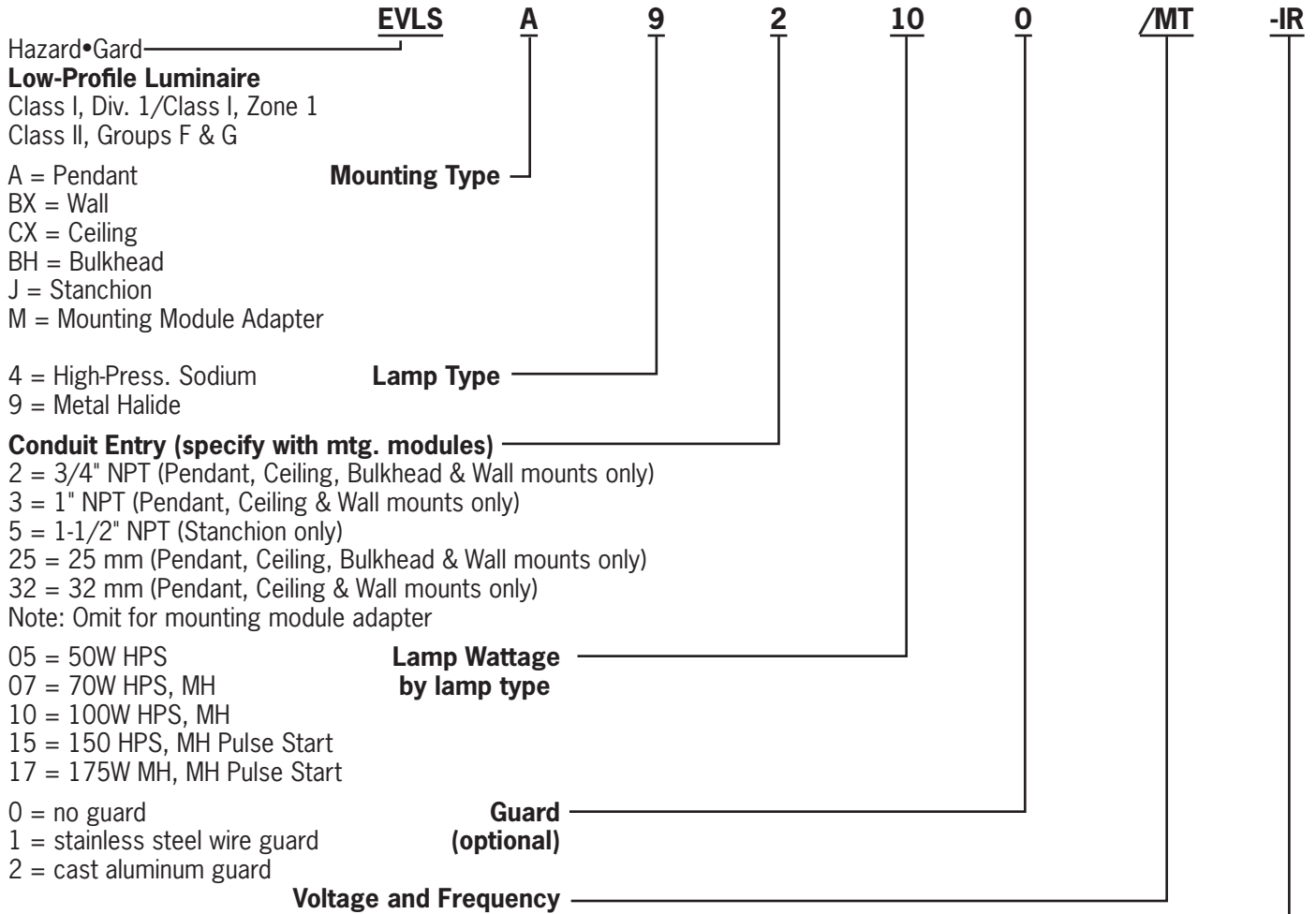
Existing Mounting Modules used on EVI, EVLP, EVM
(must use EVSA adapter)



New Mounting Modules for EVLS



Ordering Reference Sheet



	HPS				MH				
	50	70	100	150	70	100	150 PS	175	175 PS
DT	x								
MT		x	x	x	x	x	x	x	x
TT		x	x	x	x	x		x	x
120	x	x	x	x	x	x	x	x	x
208		x	x	x	x	x	x	x	x
220		x	x	x	x			x	
220 50	x	x	x	x	x	x	x	x	
240		x	x	x	x	x	x	x	x
240 50	x	x	x	x	x	x	x	x	
277	x	x	x	x	x	x	x	x	x
347		x	x	x	x	x		x	x
480		x	x	x		x		x	

Options
 ATEX = Conforms with ATEX certificate
 BG = Ballast Guard (lamp type S only)
 CWI = SCE Ballast
 GB = Group B suitability
 IR = Instant Restrike (lamp type S only)
 S828 = Pulse Start (175W & 150W MH only)

Note: BG, & IR options cannot be installed together.

SUGGESTED ORDERING FOR BEST DELIVERY.

1. Order the luminaire less mounting module and guard.
(For example, EVLS9170)

1a. Be sure to specify the operating voltage EVLS9170/MT (multi-tap)
(120, 208, 240, 277V/60 Hz)



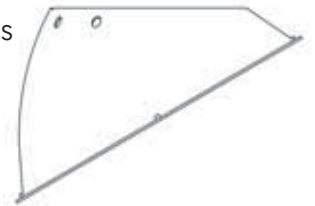
2. Order the mounting module (EVSJ5).



3. Order the guard (EV502).



4. Order accessories such as reflector (RA725).



TEMPERATURE PERFORMANCE DATA

Watts	Ambient Temp °C	Class I Div. 1 & Zone 1	Class II (Dust) and Class III	Supply Wire Temp °C
High-Pressure Sodium				
50W	40	T5	T5	90
	55	T4A	—	90
	65	T4A	—	105
70W	40	T5	T5	90
	55	T4A	—	90
	65	T4A	—	105
100W	40	T4A	T3C	90
	55	T4	—	90
	65	T4	—	105
150W	40	T4A	T3C	90
	55	T4	—	90
Metal Halide (including Pulse Start [PS] as indicated)				
70W	40	T5	T4A	90
	55	T4A	—	90
	65	T4A	—	105
100W	40	T4A	T4	90
	55	T4A	—	90
	65	T4	—	105
150 PS	40	T3C	—	90
175W	40	T3C	—	90
175 PS	40	T3C	—	90

NET LUMINAIRE WEIGHTS (LBS.)

Luminaire Series	Lamp Watts	Weight with Globe & Wire Guard
High-Pressure Sodium		
EVLS4	50W	18.5
	70W	21.5
	100W	22.5
	150W	24
Metal Halide:		
EVLS9	70W	20
	100W	20.5
	150 PS	23
	175W	23
	175PS	23
Add for cast guard:		
		1
Add for mounting modules:		
Pendant		2
Ceiling		3.5
Stanchion		3
Bulkhead		2.5
Wall		5.5
Adapter		2
Add for reflectors:		
Dome		1.5
Angle		2

EVLS Hazard·Gard®

Ordering Information — High-Pressure Sodium



		PENDANT			BULKHEAD		
Wattage	Hub Size	No Guard	Wire Guard	Cast Guard	No Guard	Wire Guard	Cast Guard
50W	3/4"	EVLSA42050	EVLSA42051	EVLSA42052	EVLSBH42050	EVLSBH42051	EVLSBH42052
	1"	EVLSA43050	EVLSA43051	EVLSA43052			
	1-1/2"						
	25 mm	EVLSA425050	EVLSA425051	EVLSA425052	EVLSBH425050	EVLSBH425051	EVLSBH425052
	32 mm	EVLSA432050	EVLSA432051	EVLSA432052			
70W	3/4"	EVLSA42070	EVLSA42071	EVLSA42072	EVLSBH42070	EVLSBH42071	EVLSBH42072
	1"	EVLSA43070	EVLSA43071	EVLSA43072			
	1-1/2"						
	25 mm	EVLSA425070	EVLSA425071	EVLSA425072	EVLSBH425070	EVLSBH425071	EVLSBH425072
	32 mm	EVLSA432070	EVLSA432071	EVLSA432072			
100W	3/4"	EVLSA42100	EVLSA42101	EVLSA42102	EVLSBH42100	EVLSBH42101	EVLSBH42102
	1"	EVLSA43100	EVLSA43101	EVLSA43102			
	1-1/2"						
	25 mm	EVLSA425100	EVLSA425101	EVLSA425102	EVLSBH425100	EVLSBH425101	EVLSBH425102
	32 mm	EVLSA432100	EVLSA432101	EVLSA432102			
150W	3/4"	EVLSA42150	EVLSA42151	EVLSA42152	EVLSBH42150	EVLSBH42151	EVLSBH42152
	1"	EVLSA43150	EVLSA43151	EVLSA43152			
	1-1/2"						
	25 mm	EVLSA425150	EVLSA425151	EVLSA425152	EVLSBH425150	EVLSBH425151	EVLSBH425152
	32 mm	EVLSA432150	EVLSA432151	EVLSA432152			

Complete catalog number as follows:

STANDARD VOLTAGE BALLASTS													
NEC/UL		CEC/CSA (cUL)								Export			
Voltage	Multi-tap	120V	480V	Tri-Tap	120V	208V CWI	240V CWI	480V CWI	600V CWI	220V 60 Hz	220V 50 Hz	230V 50 Hz	240V 50 Hz
Suffix	/MT	/120	/480	/TT	/120	/208CWI	/240CWI	/480CWI	/600CWI	/220	/220 50	/230 50	/240 50

Ordering Information — High-Pressure Sodium (Cont'd)



		WALL			CEILING		
Wattage	Hub Size	No Guard	Wire Guard	Cast Guard	No Guard	Wire Guard	Cast Guard
50W	3/4"	EVLSBX42050	EVLSBX42051	EVLSBX42052	EVLSCX42050	EVLSCX42051	EVLSCX42052
	1"	EVLSBX43050	EVLSBX43051	EVLSBX43052	EVLSCX43050	EVLSCX43051	EVLSCX43052
	1-1/2"						
	25 mm	EVLSBX425050	EVLSBX425051	EVLSBX425052	EVLSCX425050	EVLSCX425051	EVLSCX425052
	32 mm	EVLSBX432050	EVLSBX432051	EVLSBX432052	EVLSCX432050	EVLSCX432051	EVLSCX432052
70W	3/4"	EVLSBX42070	EVLSBX42071	EVLSBX42072	EVLSCX42070	EVLSCX42071	EVLSCX42072
	1"	EVLSBX43070	EVLSBX43071	EVLSBX43072	EVLSCX43070	EVLSCX43071	EVLSCX43072
	1-1/2"						
	25 mm	EVLSBX425070	EVLSBX425071	EVLSBX425072	EVLSCX425070	EVLSCX425071	EVLSCX425072
	32 mm	EVLSBX432070	EVLSBX432071	EVLSBX432072	EVLSCX432070	EVLSCX432071	EVLSCX432072
100W	3/4"	EVLSBX42100	EVLSBX42101	EVLSBX42102	EVLSCX42100	EVLSCX42101	EVLSCX42102
	1"	EVLSBX43100	EVLSBX43101	EVLSBX43102	EVLSCX43100	EVLSCX43101	EVLSCX43102
	1-1/2"						
	25 mm	EVLSBX425100	EVLSBX425101	EVLSBX425102	EVLSCX425100	EVLSCX425101	EVLSCX425102
	32 mm	EVLSBX432100	EVLSBX432101	EVLSBX432102	EVLSCX432100	EVLSCX432101	EVLSCX432102
150W	3/4"	EVLSBX42150	EVLSBX42151	EVLSBX42152	EVLSCX42150	EVLSCX42151	EVLSCX42152
	1"	EVLSBX43150	EVLSBX43151	EVLSBX43152	EVLSCX43150	EVLSCX43151	EVLSCX43152
	1-1/2"						
	25 mm	EVLSBX425150	EVLSBX425151	EVLSBX425152	EVLSCX425150	EVLSCX425151	EVLSCX425152
	32 mm	EVLSBX432150	EVLSBX432151	EVLSBX432152	EVLSCX432150	EVLSCX432151	EVLSCX432152

Complete catalog number as follows:

STANDARD VOLTAGE BALLASTS													
	NEC/UL			CEC/CSA (cUL)						Export			
Voltage	Multi-tap	120V	480V	Tri-Tap	120V	208V CWI	240V CWI	480V CWI	600V CWI	220V 60 Hz	220V 50 Hz	230V 50 Hz	240V 50 Hz
Suffix	/MT	/120	/480	/TT	/120	/208CWI	/240CWI	/480CWI	/600CWI	/220	/220 50	/230 50	/240 50

EVLS Hazard•Gard®

Ordering Information — High-Pressure Sodium (Cont'd)



		STANCHION			ADAPTER			Luminaire less mounting module and guard
Wattage	Hub Size	No Guard	Wire Guard	Cast Guard	No Guard	Wire Guard	Cast Guard	
50W	Adapter				EVLSM4050	EVLSM4051	EVLSM4052	EVLS4050
	1-1/2"	EVLSJ45050	EVLSJ45051	EVLSJ45052				
70W	Adapter				EVLSM4070	EVLSM4071	EVLSM4072	EVLS4070
	1-1/2"	EVLSJ45070	EVLSJ45071	EVLSJ45072				
100W	Adapter				EVLSM4100	EVLSM4101	EVLSM4102	EVLS4100
	1-1/2"	EVLSJ45100	EVLSJ45101	EVLSJ45102				
150W	Adapter				EVLSM4150	EVLSM4151	EVLSM4152	EVLS4100
	1-1/2"	EVLSJ45150	EVLSJ45151	EVLSJ45152				

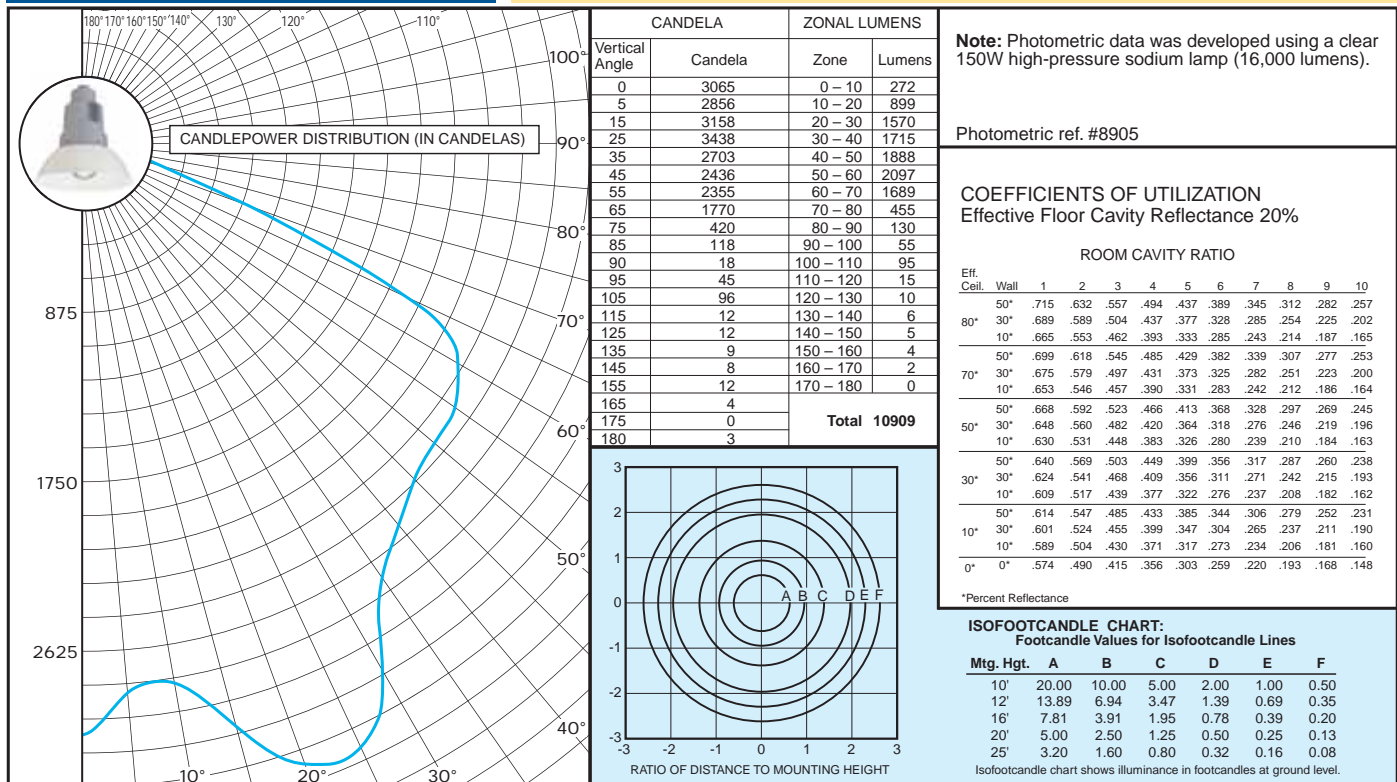
Complete catalog number as follows:

STANDARD VOLTAGE BALLASTS

		NEC/UL								CEC/CSA (cUL)				Export			
Voltage	Suffix	Multi-tap	120V	480V	Tri-Tap	120V	208V CWI	240V CWI	480V CWI	600V CWI	220V 60 Hz	220V 50 Hz	230V 50 Hz	240V 50 Hz			
		/MT	/120	/480	/TT	/120	/208CWI	/240CWI	/480CWI	/600CWI	/220	/220 50	/230 50	/240 50			

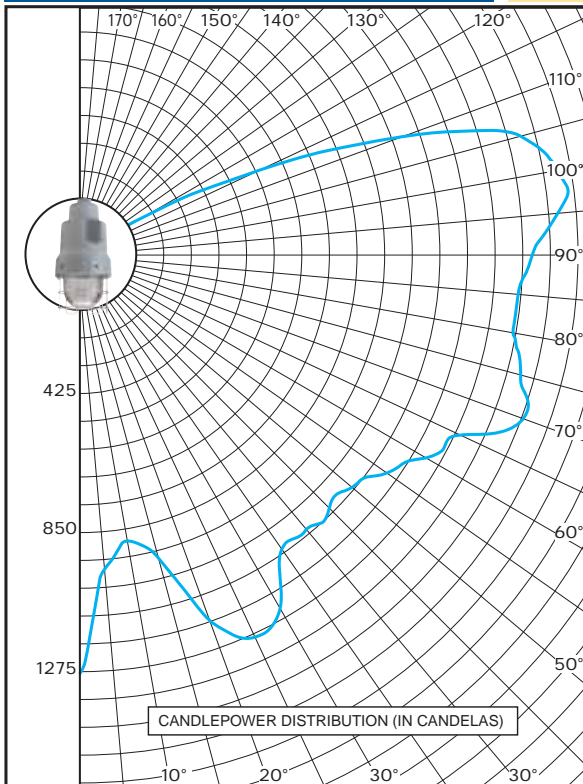
EVLS HIGH-PRESSURE SODIUM

Fixture with Globe and Domed Reflector (less guard) EVLSA42150RD725 Lamp: 150W/B17 High-Pressure Sodium (HPS)

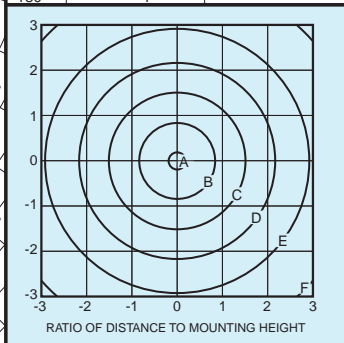


EVLS HIGH-PRESSURE SODIUM

Fixture with Globe and Guard EVLSA42151 Lamp: 150W/B17 High-Pressure Sodium (HPS)



Vertical Angle	CANDELA			ZONAL LUMENS	
	Front	Side	Back	Zone	Lumens
0	1292			0 - 10	91
5	966			10 - 20	290
15	987			20 - 30	592
25	1292			30 - 40	698
35	1089			40 - 50	846
45	1084			50 - 60	1035
55	1157			60 - 70	1326
65	1308			70 - 80	1479
75	1392			80 - 90	1475
85	1345			90 - 100	1593
90	1382			100 - 110	1444
95	1461			110 - 120	662
105	1400			120 - 130	58
115	659			130 - 140	12
125	30			140 - 150	10
135	16			150 - 160	10
145	15			160 - 170	7
155	20			170 - 180	1
165	23				
175	1				
180	1				
Total 11629					



Note: Photometric data was developed using a clear 150W high-pressure sodium lamp (16,000 lumens).

Photometric ref. #8907

COEFFICIENTS OF UTILIZATION Effective Floor Cavity Reflectance 20%

		ROOM CAVITY RATIO									
Eff. Ceil.	Wall	1	2	3	4	5	6	7	8	9	10
80°	30°	.647	.541	.462	.404	.354	.314	.279	.252	.228	.207
10°	30°	.602	.478	.391	.332	.282	.243	.211	.186	.165	.148
10°	10°	.562	.425	.335	.276	.229	.192	.163	.142	.123	.108
50°	30°	.607	.506	.432	.378	.332	.294	.262	.236	.214	.195
70°	30°	.566	.449	.368	.312	.266	.229	.199	.176	.156	.139
10°	30°	.530	.401	.316	.261	.216	.182	.154	.134	.116	.102
50°	30°	.531	.441	.375	.329	.289	.256	.229	.207	.188	.171
30°	30°	.499	.395	.323	.275	.234	.202	.176	.156	.138	.124
10°	30°	.470	.355	.280	.232	.192	.162	.137	.119	.103	.091
50°	30°	.462	.381	.323	.284	.249	.221	.198	.179	.163	.149
30°	30°	.436	.344	.281	.239	.204	.176	.153	.136	.121	.108
10°	30°	.413	.312	.245	.204	.168	.142	.120	.104	.090	.079
50°	30°	.398	.325	.274	.241	.212	.188	.169	.154	.140	.128
10°	30°	.378	.296	.241	.206	.175	.151	.131	.117	.104	.093
10°	10°	.360	.270	.212	.176	.145	.122	.103	.090	.078	.068
0°	0°	.327	.240	.184	.151	.122	.101	.084	.072	.062	.053

*Percent Reflectance

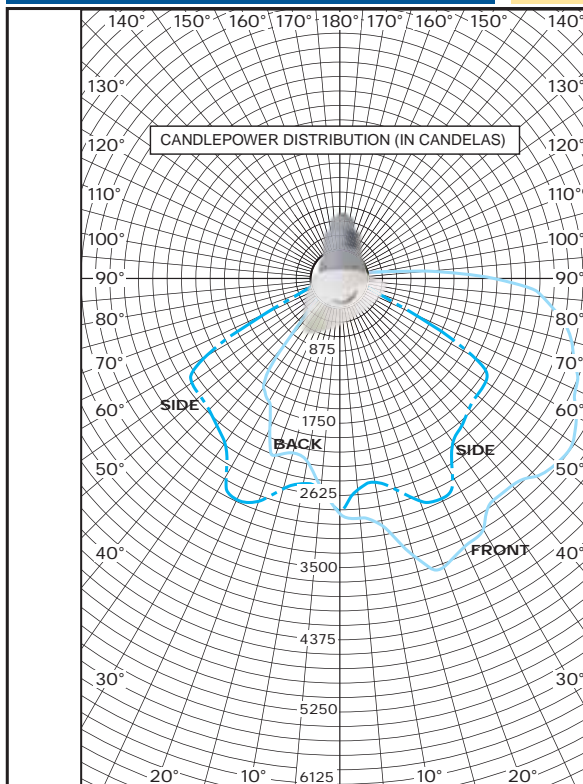
ISOFOOTCANDLE CHART: Footcandle Values for Isofootcandle Lines

Mtg. Hgt.	A	B	C	D	E	F
10'	10.00	5.00	2.00	1.00	0.50	0.20
12'	6.94	3.47	1.39	0.69	0.35	0.14
16'	3.91	1.95	0.78	0.39	0.20	0.08
20'	2.50	1.25	0.50	0.25	0.13	0.05
25'	1.60	0.80	0.32	0.16	0.08	0.03

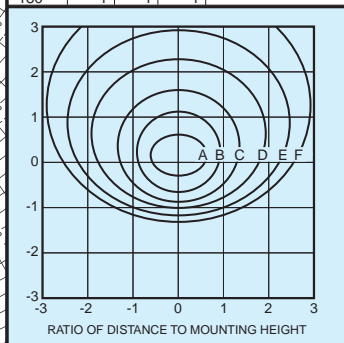
Isofootcandle chart shows illuminance in footcandles at ground level.

EVLS HIGH-PRESSURE SODIUM

Fixture with Globe and Angled Reflector (less guard) EVLSA42150RA725 Lamp: 150W/B17 High-Pressure Sodium (HPS)



Vertical Angle	CANDELA			ZONAL LUMENS	
	Front	Side	Back	Zone	Lumens
0	2831	2831	2831	0 - 10	250
5	2922	2571	2545	10 - 20	780
15	3505	2651	2196	20 - 30	1324
25	3595	2953	1972	30 - 40	1523
35	3274	2410	1585	40 - 50	1621
45	3396	2230	475	50 - 60	1577
55	3445	2169	115	60 - 70	1366
65	3152	894	10	70 - 80	1112
75	2901	312	7	80 - 90	687
85	2447	79	7	90 - 100	260
90	1850	7	14	100 - 110	110
95	1009	7	7	110 - 120	21
105	290	9	223	120 - 130	6
115	80	7	14	130 - 140	5
125	0	5	7	140 - 150	4
135	0	7	7	150 - 160	2
145	3	9	7	160 - 170	1
155	0	3	3	170 - 180	0
165	3	3	3		
175	0	2	0		
180	1	1	1		
Total 10651					



Note: Photometric data was developed using a clear 150W high-pressure sodium lamp (16,000 lumens).

Photometric ref. #8906

COEFFICIENTS OF UTILIZATION Effective Floor Cavity Reflectance 20%

		ROOM CAVITY RATIO									
Eff. Ceil.	Wall	1	2	3	4	5	6	7	8	9	10
80°	30°	.669	.580	.507	.451	.400	.357	.319	.289	.261	.238
10°	30°	.636	.530	.449	.390	.338	.296	.258	.230	.205	.183
10°	10°	.606	.489	.403	.343	.292	.251	.216	.190	.166	.147
50°	30°	.651	.565	.494	.440	.391	.349	.312	.283	.256	.234
70°	30°	.621	.519	.441	.383	.333	.291	.255	.227	.202	.181
10°	30°	.594	.481	.397	.339	.290	.249	.214	.188	.165	.146
50°	30°	.618	.537	.470	.420	.374	.335	.299	.272	.246	.225
30°	30°	.593	.498	.425	.371	.323	.283	.248	.222	.197	.177
10°	30°	.570	.466	.387	.332	.284	.245	.211	.186	.163	.144
50°	30°	.587	.510	.448	.401	.358	.321	.287	.261	.237	.217
30°	30°	.567	.479	.409	.359	.313	.275	.242	.216	.193	.173
10°	30°	.548	.451	.377	.325	.278	.241	.207	.183	.160	.142
50°	30°	.559	.486	.427	.383	.343	.308	.276	.252	.229	.209
10°	30°	.542	.460	.395	.347	.304	.268	.235	.211	.188	.169
10°	10°	.527	.437	.367	.317	.273	.236	.204	.180	.158	.140
0°	0°	.511	.421	.351	.302	.258	.222	.190	.167	.145	.128

*Percent Reflectance

ISOFOOTCANDLE CHART: Footcandle Values for Isofootcandle Lines

Mtg. Hgt.	A	B	C	D	E	F
10'	20.00	10.00	5.00	2.00	1.00	0.50
12'	13.89	6.94	3.47	1.39	0.69	0.35
16'	7.81	3.91	1.95	0.78	0.39	0.20
20'	5.00	2.50	1.25	0.50	0.25	0.13
25'	3.20	1.60	0.80	0.32	0.16	0.08

Isofootcandle chart shows illuminance in footcandles at ground level.

Ordering Information — Pulse Start Metal Halide



		PENDANT			BULKHEAD		
Wattage	Hub Size	No Guard	Wire Guard	Cast Guard	No Guard	Wire Guard	Cast Guard
150W	3/4"	EVLSA92150-S828	EVLSA92151-S828	EVLSA92152-S828	EVLSBH92150-S828	EVLSBH92151-S828	EVLSBH92152-S828
	1"	EVLSA93150-S828	EVLSA93151-S828	EVLSA93152-S828			
	1-1/2"						
	25 mm	EVLSA925150-S828	EVLSA925151-S828	EVLSA925152-S828	EVLSBH925150-S828	EVLSBH925151-S828	EVLSBH925152-S828
	32 mm	EVLSA932150-S828	EVLSA932151-S828	EVLSA932152-S828			
175W	3/4"	EVLSA92170-S828	EVLSA92171-S828	EVLSA92172-S828	EVLSBH92170-S828	EVLSBH92171-S828	EVLSBH92172-S828
	1"	EVLSA93170-S828	EVLSA93171-S828	EVLSA93172-S828			
	1-1/2"						
	25 mm	EVLSA925170-S828	EVLSA925171-S828	EVLSA925172-S828	EVLSBH925170-S828	EVLSBH925171-S828	EVLSBH925172-S828
	32 mm	EVLSA932170-S828	EVLSA932171-S828	EVLSA932172-S828			



		WALL			CEILING		
Wattage	Hub Size	No Guard	Wire Guard	Cast Guard	No Guard	Wire Guard	Cast Guard
150W	3/4"	EVLSBX92150-S828	EVLSBX92151-S828	EVLSBX92152-S828	EVLSCX92150-S828	EVLSCX92151-S828	EVLSCX92152-S828
	1"	EVLSBX93150-S828	EVLSBX93151-S828	EVLSBX93152-S828	EVLSCX93150-S828	EVLSCX93151-S828	EVLSCX93152-S828
	1-1/2"						
	25 mm	EVLSBX925150-S828	EVLSBX925151-S828	EVLSBX925152-S828	EVLSCX925150-S828	EVLSCX925151-S828	EVLSCX925152-S828
	32 mm	EVLSBX932150-S828	EVLSBX932151-S828	EVLSBX932152-S828	EVLSCX932150-S828	EVLSCX932151-S828	EVLSCX932152-S828
175W	3/4"	EVLSBX92170-S828	EVLSBX92171-S828	EVLSBX92172-S828	EVLSCX92170-S828	EVLSCX92171-S828	EVLSCX92172-S828
	1"	EVLSBX93170-S828	EVLSBX93171-S828	EVLSBX93172-S828	EVLSCX93170-S828	EVLSCX93171-S828	EVLSCX93172-S828
	1-1/2"						
	25 mm	EVLSBX925170-S828	EVLSBX925171-S828	EVLSBX925172-S828	EVLSCX925170-S828	EVLSCX925171-S828	EVLSCX925172-S828
	32 mm	EVLSBX932170-S828	EVLSBX932171-S828	EVLSBX932172-S828	EVLSCX932170-S828	EVLSCX932171-S828	EVLSCX932172-S828

Ordering Information — Pulse Start Metal Halide (Cont'd)



		STANCHION			ADAPTER			Luminaire less mounting module and guard
Wattage	Hub Size	No Guard	Wire Guard	Cast Guard	No Guard	Wire Guard	Cast Guard	
150W	Adapter				EVLSM9150-S828	EVLSM9151-S828	EVLSM9152-S828	EVLS9150-S828
	3/4"							
	1"							
	1-1/2"	EVLSJ95150-S828	EVLSJ95151-S828	EVLSJ95152-S828				
	25 mm							
	32 mm							
175W	Adapter				EVLSM9170-S828	EVLSM9171-S828	EVLSM9172-S828	EVLS9100-S828
	3/4"							EVLS9170-S828
	1"							
	1-1/2"	EVLSJ95170-S828	EVLSJ95171-S828	EVLSJ95172-S828				
	25 mm							
	32 mm							

Complete catalog number as follows:

STANDARD VOLTAGE BALLASTS			
NEC/UL			
Voltage	Multi-tap	120V	480V
Suffix	/MT	/120	/480

Ordering Information — Metal Halide



		PENDANT			BULKHEAD		
Wattage	Hub Size	No Guard	Wire Guard	Cast Guard	No Guard	Wire Guard	Cast Guard
70W	3/4"	EVLSA92070	EVLSA92071	EVLSA92072	EVLSBH92070	EVLSBH92071	EVLSBH92072
	1"	EVLSA93070	EVLSA93071	EVLSA93072			
	1-1/2"						
	25 mm	EVLSA925070	EVLSA925071	EVLSA925072	EVLSBH925070	EVLSBH925071	EVLSBH925072
	32 mm	EVLSA932070	EVLSA932071	EVLSA932072			
100W	3/4"	EVLSA92100	EVLSA92101	EVLSA92102	EVLSBH92100	EVLSBH92101	EVLSBH92102
	1"	EVLSA93100	EVLSA93101	EVLSA93102			
	1-1/2"						
	25 mm	EVLSA425100	EVLSA425101	EVLSA425102	EVLSBH425100	EVLSBH425101	EVLSBH425102
	32 mm	EVLSA432100	EVLSA432101	EVLSA432102			
175W	3/4"	EVLSA92170	EVLSA92171	EVLSA92172	EVLSBH92170	EVLSBH92171	EVLSBH92172
	1"	EVLSA93170	EVLSA93171	EVLSA93172			
	1-1/2"						
	25 mm	EVLSA925170	EVLSA925171	EVLSA925172	EVLSBH925170	EVLSBH925171	EVLSBH925172
	32 mm	EVLSA932170	EVLSA932171	EVLSA932172			

Complete catalog number as follows:

	STANDARD VOLTAGE BALLASTS											
	NEC/UL			CEC/CSA (cUL)						Export		
	Multi-tap	120V	480V	Tri-Tap	120V	208V CWI	240V CWI	480V CWI	600V CWI	220V 60 Hz	220V 50 Hz	240V 50 Hz
Suffix	/MT	/120	/480	/TT	/120	/208CWI	/240CWI	/480CWI	/600CWI	/220	/220 50	/240 50

Ordering Information — Metal Halide (Cont'd)



		WALL			CEILING		
Wattage	Hub Size	No Guard	Wire Guard	Cast Guard	No Guard	Wire Guard	Cast Guard
70W	3/4"	EVLSBX92070	EVLSBX92071	EVLSBX92072	EVLSCX92070	EVLSCX92071	EVLSCX92072
	1"	EVLSBX93070	EVLSBX93071	EVLSBX93072	EVLSCX93070	EVLSCX93071	EVLSCX93072
	1-1/2"						
	25 mm	EVLSBX925070	EVLSBX925071	EVLSBX925072	EVLSCX925070	EVLSCX925071	EVLSCX925072
	32 mm	EVLSBX932070	EVLSBX932071	EVLSBX932072	EVLSCX932070	EVLSCX932071	EVLSCX932072
100W	3/4"	EVLSBX92100	EVLSBX92101	EVLSBX92102	EVLSCX92100	EVLSCX92101	EVLSCX92102
	1"	EVLSBX93100	EVLSBX93101	EVLSBX93102	EVLSCX93100	EVLSCX93101	EVLSCX93102
	1-1/2"						
	25 mm	EVLSBX425100	EVLSBX425101	EVLSBX425102	EVLSCX925100	EVLSCX925101	EVLSCX925102
	32 mm	EVLSBX432100	EVLSBX432101	EVLSBX432102	EVLSCX932100	EVLSCX932101	EVLSCX932102
175W	3/4"	EVLSBX92170	EVLSBX92171	EVLSBX92172	EVLSCX92170	EVLSCX92171	EVLSCX92172
	1"	EVLSBX93170	EVLSBX93171	EVLSBX93172	EVLSCX93170	EVLSCX93171	EVLSCX93172
	1-1/2"						
	25 mm	EVLSBX925170	EVLSBX925171	EVLSBX925172	EVLSCX925170	EVLSCX925171	EVLSCX925172
	32 mm	EVLSBX932170	EVLSBX932171	EVLSBX932172	EVLSCX932170	EVLSCX932171	EVLSCX932172

Complete catalog number as follows:

STANDARD VOLTAGE BALLASTS

	NEC/UL			CEC/CSA (cUL)						Export		
Voltage	Multi-tap	120V	480V	Tri-Tap	120V	208V CWI	240V CWI	480V CWI	600V CWI	220V 60 Hz	220V 50 Hz	240V 50 Hz
Suffix	/MT	/120	/480	/TT	/120	/208CWI	/240CWI	/480CWI	/600CWI	/220	/220 50	/240 50

EVLS Hazard·Gard®

Ordering Information — Metal Halide (Cont'd)



		STANCHION			ADAPTER			Luminaire less mounting module and guard
Wattage	Hub Size	No Guard	Wire Guard	Cast Guard	No Guard	Wire Guard	Cast Guard	
70W	Adapter				EVLSM9070	EVLSM9071	EVLSM9072	EVLS9070
	1-1/2"	EVLSJ95070	EVLSJ95071	EVLSJ95072				
100W	Adapter				EVLSM9100	EVLSM9101	EVLSM9102	EVLS9100
	1-1/2"	EVLSJ95100	EVLSJ95101	EVLSJ95102				
175W	Adapter				EVLSM9170	EVLSM9171	EVLSM9172	EVLS9100
	3/4"							EVLS9170
	1-1/2"	EVLSJ95170	EVLSJ95171	EVLSJ95172				

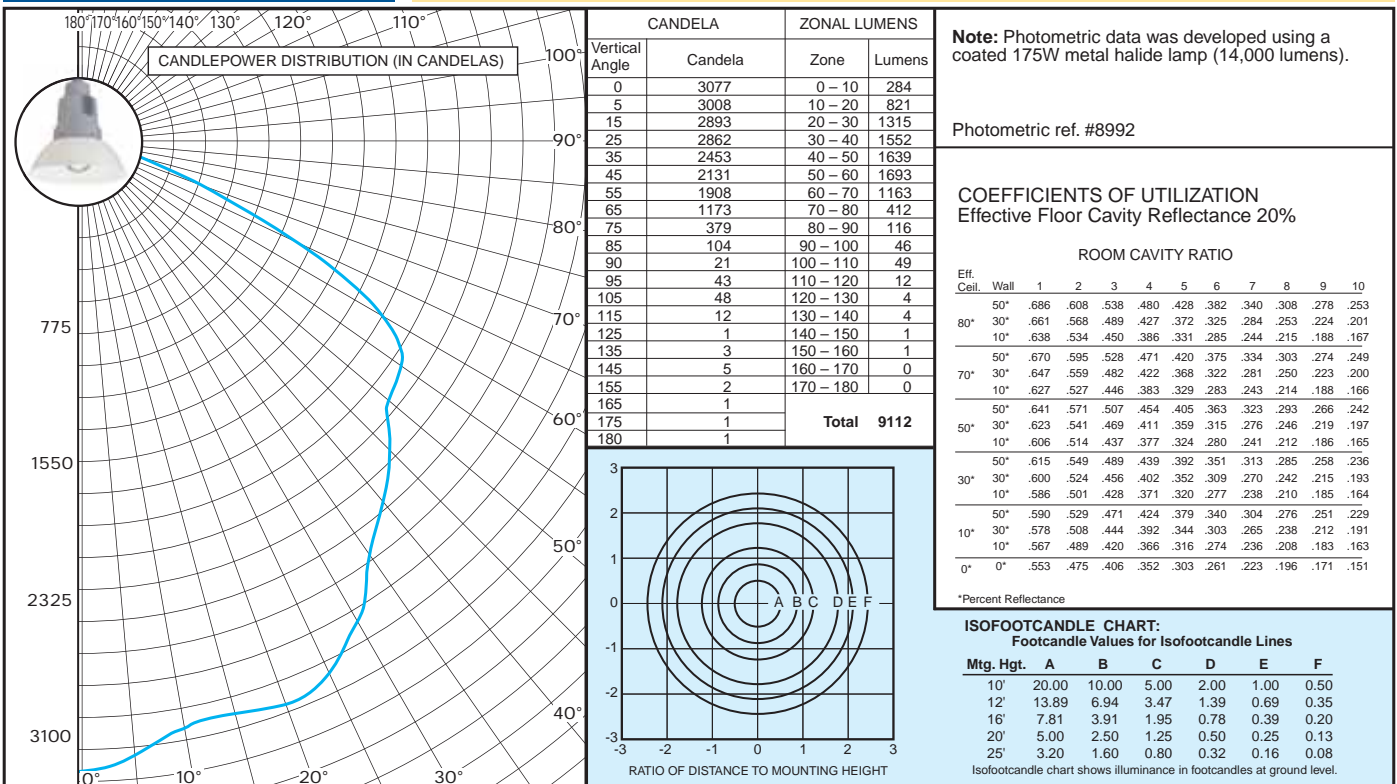
Complete catalog number as follows:

STANDARD VOLTAGE BALLASTS

	NEC/UL		CEC/CSA (cUL)						Export				
Voltage	Multi-tap	120V	480V	Tri-Tap	120V	208V CWI	240V CWI	480V CWI	600V CWI	220V 60 Hz	220V 50 Hz	230V 50 Hz	240V 50 Hz
Suffix	/MT	/120	/480	/TT	/120	/208CWI	/240CWI	/480CWI	/600CWI	/220	/220 50	/230 50	/240 50

EVLS METAL HALIDE

Fixture with Globe and Domed Reflector (less guard) EVLSA92170RD725 Lamp: 150W/ED17 Metal Halide (MH)



Ordering Information — Metal Halide (Cont'd)

EVLS METAL HALIDE

Fixture with Globe and Guard EVLSA92171
Lamp: 175W/ED17 Metal Halide (MH)

CANDLEPOWER DISTRIBUTION (IN CANDELAS)

Vertical Angle	CANDELA			ZONAL LUMENS	
	Candela	Zone	Lumens	Zone	Lumens
0	1346	0 - 10	114		
5	1241	10 - 20	291		
15	1010	20 - 30	513		
25	1111	30 - 40	665		
35	1049	40 - 50	771		
45	991	50 - 60	954		
55	1061	60 - 70	1126		
65	1141	70 - 80	1221		
75	1156	80 - 90	1306		
85	1195	90 - 100	1314		
90	1225	100 - 110	1059		
95	1212	110 - 120	498		
105	1014	120 - 130	102		
115	492	130 - 140	14		
125	100	140 - 150	10		
135	16	150 - 160	9		
145	16	160 - 170	6		
155	21	170 - 180	0		
165	18				
175	1				
180	1				
			Total	9974	

Note: Photometric data was developed using a coated 175W metal halide lamp (14,000 lumens).

Photometric ref. #8991

COEFFICIENTS OF UTILIZATION
Effective Floor Cavity Reflectance 20%

ROOM CAVITY RATIO

Eff. Cell.	Wall	1	2	3	4	5	6	7	8	9	10
50°	638	535	458	401	352	312	278	251	227	207	
80°	30°	594	473	389	330	282	243	211	187	165	148
10°	554	421	334	276	229	193	164	143	124	109	
50°	600	503	430	377	331	294	262	236	214	195	
70°	30°	561	447	367	312	266	230	200	177	157	141
10°	525	399	316	262	218	184	156	136	118	104	
50°	529	441	377	331	291	259	231	209	190	173	
30°	498	396	326	278	237	205	178	158	141	126	
10°	468	357	283	236	196	165	140	122	106	093	
50°	464	385	328	289	254	226	202	183	167	153	
30°	30°	439	349	286	245	209	181	158	140	125	112
10°	416	317	251	209	174	147	125	109	094	083	
50°	404	332	282	249	219	195	175	159	145	133	
10°	30°	384	304	249	213	182	158	138	123	109	098
10°	366	278	220	184	153	129	109	095	083	073	
0°	0°	335	249	194	160	131	109	091	078	067	058

*Percent Reflectance

ISOFOOTCANDLE CHART:
Footcandle Values for Isofootcandle Lines

Mtg. Hgt.	A	B	C	D	E	F
10'	10.00	5.00	2.00	1.00	0.50	0.20
12'	6.94	3.47	1.39	0.69	0.35	0.14
16'	3.91	1.95	0.78	0.39	0.20	0.08
20'	2.50	1.25	0.50	0.25	0.13	0.05
25'	1.60	0.80	0.32	0.16	0.08	0.03

Isofootcandle chart shows illuminance in footcandles at ground level.

EVLS METAL HALIDE

Fixture with Globe and Angled Reflector (less guard) EVLSA92170RA725
Lamp: 175W/ED17 Metal Halide (MH)

CANDLEPOWER DISTRIBUTION (IN CANDELAS)

Vertical Angle	CANDELA			ZONAL LUMENS	
	Front	Side	Back	Zone	Lumens
0	2902	2902	2902	0 - 10	262
5	2947	2803	2669	10 - 20	725
15	3038	2522	2125	20 - 30	1159
25	3003	2562	1885	30 - 40	1389
35	2870	2330	1283	40 - 50	1393
45	2863	1939	431	50 - 60	1281
55	2740	1681	87	60 - 70	1105
65	2588	734	0	70 - 80	866
75	2345	257	0	80 - 90	522
85	1862	65	13	90 - 100	216
90	1292	0	36	100 - 110	86
95	738	3	68	110 - 120	17
105	262	2	87	120 - 130	2
115	71	6	26	130 - 140	2
125	0	2	3	140 - 150	1
135	0	3	3	150 - 160	0
145	0	0	0	160 - 170	0
155	0	0	0	170 - 180	0
165	0	0	0		
175	6	5	3		
180	1	1	1		
			Total	9029	

Note: Photometric data was developed using a coated 175W metal halide lamp (14,000 lumens).

Photometric ref. #8993

COEFFICIENTS OF UTILIZATION
Effective Floor Cavity Reflectance 20%

ROOM CAVITY RATIO

Eff. Cell.	Wall	1	2	3	4	5	6	7	8	9	10
50°	654	569	500	446	398	356	319	289	262	239	
80°	30°	623	523	446	389	339	298	261	234	208	187
10°	595	484	402	345	296	256	221	195	172	152	
50°	636	555	488	436	389	349	313	284	257	235	
70°	30°	608	513	438	383	334	294	258	231	206	185
10°	583	477	397	341	293	254	219	194	171	151	
50°	604	528	465	417	373	335	300	273	248	227	
30°	30°	581	493	422	371	324	286	252	225	201	181
10°	560	462	387	334	288	250	216	191	168	150	
50°	575	503	444	399	357	322	289	263	239	219	
30°	30°	556	474	408	359	315	279	245	220	197	177
10°	539	448	377	327	282	246	213	189	166	148	
50°	548	480	425	382	343	309	278	254	231	212	
10°	30°	533	456	394	348	306	271	239	215	193	174
10°	519	434	368	320	277	242	210	186	164	146	
0°	0°	503	419	353	305	263	228	196	173	152	134

*Percent Reflectance

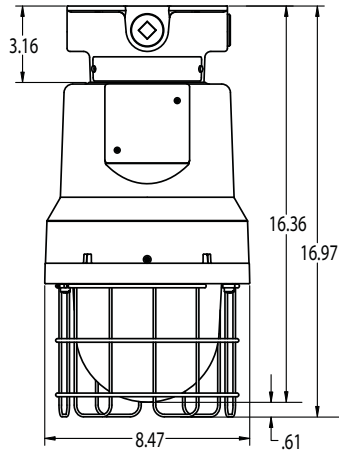
ISOFOOTCANDLE CHART:
Footcandle Values for Isofootcandle Lines

Mtg. Hgt.	A	B	C	D	E	F
10'	20.00	10.00	5.00	2.00	1.00	0.50
12'	13.89	6.94	3.47	1.39	0.69	0.35
16'	7.81	3.91	1.95	0.78	0.39	0.20
20'	5.00	2.50	1.25	0.50	0.25	0.13
25'	3.20	1.60	0.80	0.32	0.16	0.08

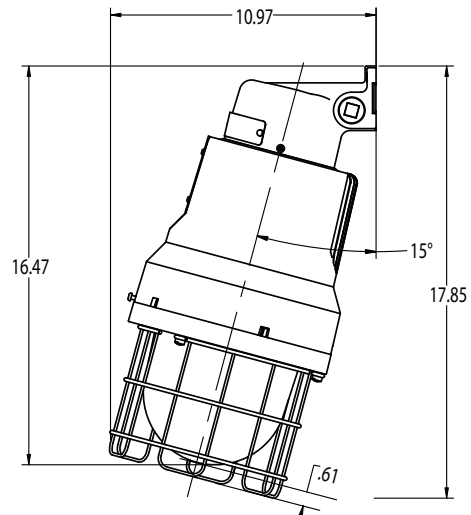
Isofootcandle chart shows illuminance in footcandles at ground level.

DIMENSIONS

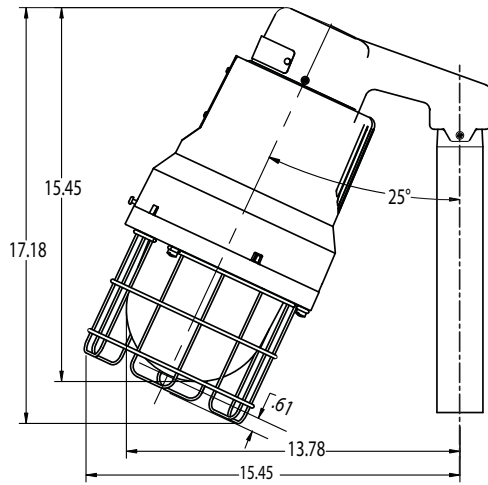
SHOWN WITH NEW MOUNTING MODULES



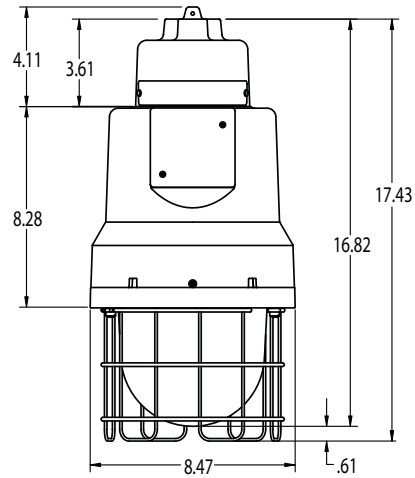
CEILING MOUNT



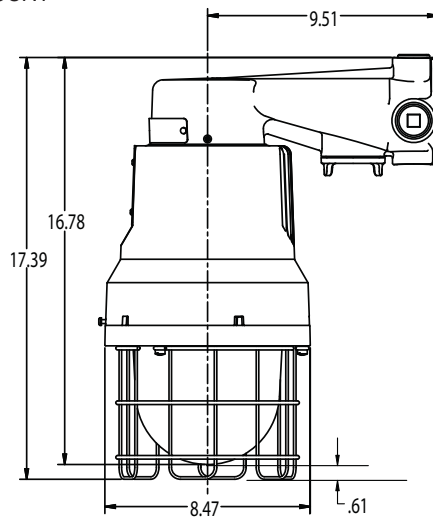
BULKHEAD MOUNT



STANCHION MOUNT



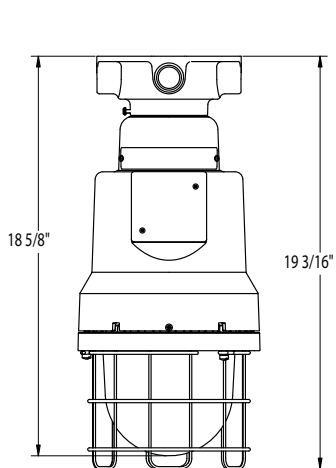
PENDANT MOUNT



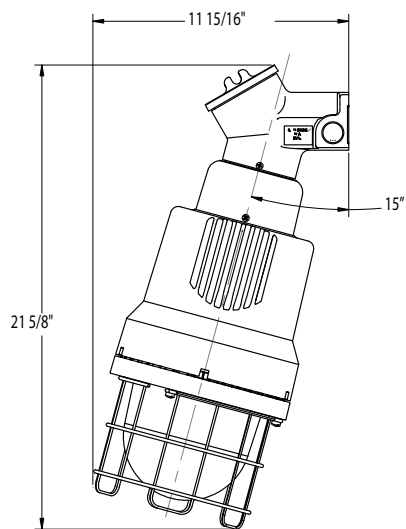
WALL MOUNT

DIMENSIONS

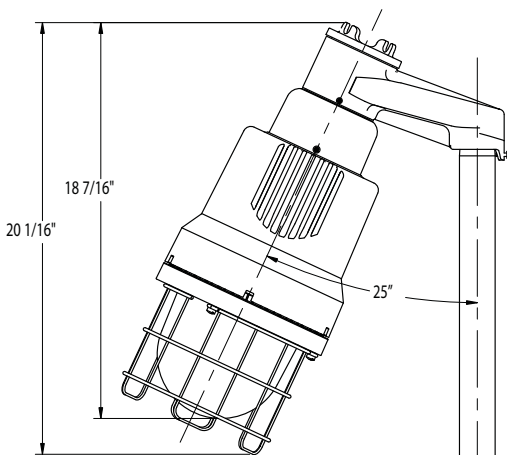
**SHOWN WITH EXISTING MOUNTING
MODULES PLUS EVSA ADAPTER**



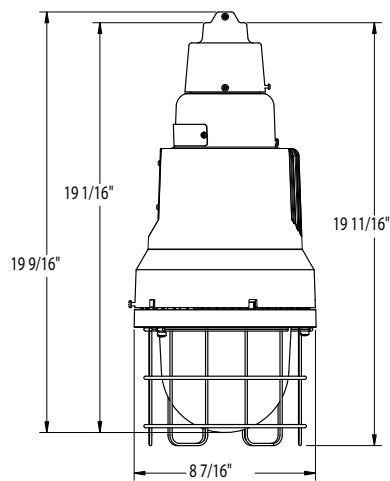
CEILING MOUNT EV22, EV33



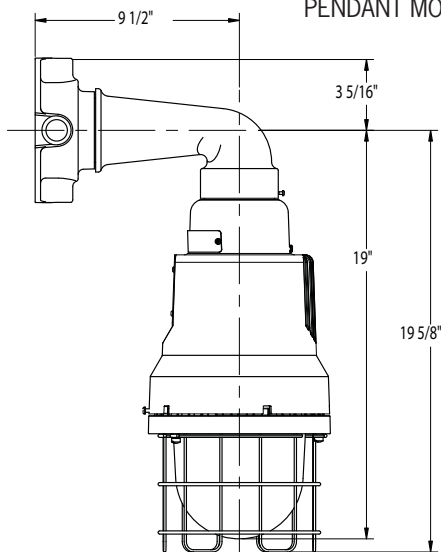
BULKHEAD MOUNT EVJ2



STANCHION MOUNT EVMJ4



PENDANT MOUNT EVMP2, EVMP3



WALL MOUNT BRACKET EV87

Distributed by:

For more information:

If further assistance is required, please contact an authorized Cooper Crouse-Hinds Distributor, Sales Office or Customer Service Department:

In the U.S.:

Cooper Crouse-Hinds
P.O. Box 4999
Syracuse, NY 13221
Toll Free: 866-764-5454
(315) 477-5531
FAX: (315) 477-5179
crouse.customerctr@crouse-hinds.com

In Canada:

Cooper Crouse-Hinds Canada
Toll Free: 800-265-0502
(905) 507-4187
FAX: (905) 568-7048

In Mexico:

Cooper Crouse-Hinds, S.A. de C.V.
52-555-804-4000
FAX: 52-555-804-4020

In Latin America/Caribbean:

Cooper Crouse-Hinds
(954) 764-3853
FAX: (954) 764-3854

In Europe (Germany):

Cooper Crouse-Hinds GmbH
49-6271-806500
FAX: 49-6271-806476

In Australia:

Cooper Electrical Australia
61-29-743-7000
FAX: 61-29-743-7069
sales@cooperelectrical.com.au

In Asia (Singapore):

Cooper Crouse-Hinds Pte. Ltd.
65-6297-4849
FAX: 65-6297-4819
sales@cchspore.com.sg

In Middle East (Dubai):

CEAG Middle East LLC
971-4-324-1519
FAX: 971-4-324-1640

In India:

Cooper Crouse-Hinds India
91-22-5604-5150
FAX: 91-22-2404-1811

For the latest in new products and services, visit our website at:

www.crouse-hinds.com



Solutions. Worldwide.™

Crouse-Hinds is a registered trademark of Cooper Industries, Inc.
© 2007 Cooper Industries, Inc.

