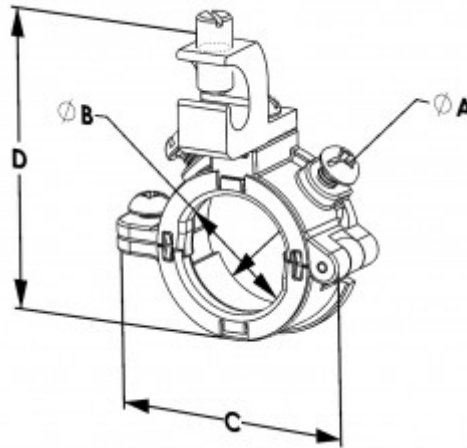


Split Bushing, Threadless, Insulated, Grounding, Zinc Die Cast, Size 2 Inch. 14-

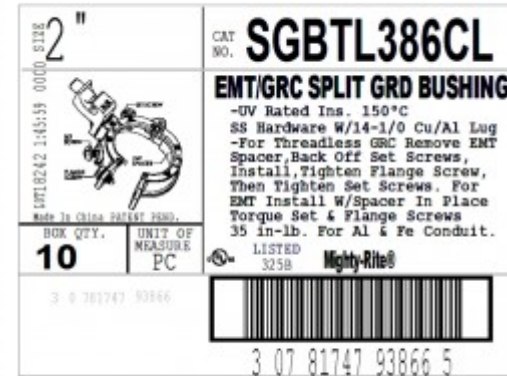
Perfect for bonding stub-ups or in data applications! Grounding lug; aluminum alloy 60610-T6. Rated 150 Degree C. cULus listed to UL514B and steel hardware and UV stabilized insulators, for use in outdoor applications.



[Download Photo](#)



[Download Drawing](#)



[Download Drawing](#)

Product details

Catalog Number:	SGBTL386CL
UPC Number:	78174793866
Primary Materials:	Zinc Die Cast
Finish:	Ball Burnished, Mirror Smooth, Grounding Lug: Tin Electro-plate
Trade Size:	2"
Unit Quantity:	10
Standard Package Quantity:	100

Dimensions

Trade Size:	2"
Dimensions A:	2.257
Dimensions B:	1.96
Dimensions C:	3.584
Dimensions D:	4.031

Certifications & Codes

Federal Specification Number: A-A-50553

UL File Number: E20412

UNSPSC: 39121312

Nema Standard: FB-1

UL Standard: UL-514B

Patent Number: US Patent 7,182,611; 6,840,782; 8,419,449