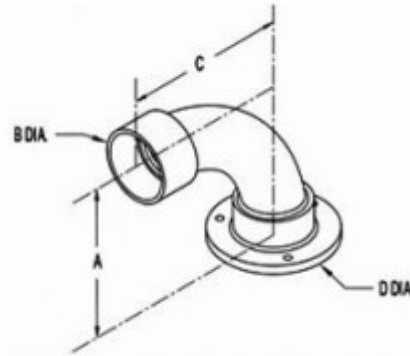


1/2" Concrete Slab Elbow

Concrete slab elbows for use in minimum 6" concrete poured or pre-fabricated slabs.

[Download Photo](#)[Download Drawing](#)

Product details

Catalog Number:	CSE-050
UPC Number:	78174709220
Primary Materials:	Zinc Die Cast
Trade Size:	1/2"
Unit Quantity:	5
Standard Package Quantity:	20

Dimensions

Trade Size:	1/2"
Dimensions A:	3.13
Dimensions B:	1.02
Dimensions C:	3.45
Dimensions D:	1.88

Certifications & Codes

Federal Specification Number: A-A-50553A

UL File Number: E9391

UNSPSC: 39131717

UL Standard: UL-514B