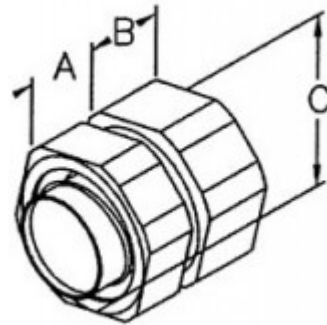


## Transition Coupling, Rigid/IMC Conduit to Liquidtight FMC, 1/2 Inch, NPT Threads

For creating a Liquidtight/Raintight Connection between 2 different Raceways: 1/2" Rigid Conduit (GRC & IMC) and 1/2" Liquidtight Flexible Metallic Conduit (LFMC). Suitable for use in wet locations. Concrete Tight. Malleable Iron Body with Steel Ferrule

[Download Photo](#)[Download Drawing](#)

### Product details

<b>Catalog Number:</b>	4370-LT
<b>UPC Number:</b>	78174720370
<b>Primary Materials:</b>	Steel
<b>Finish:</b>	Zinc Plated
<b>Trade Size:</b>	1/2"
<b>Unit Quantity:</b>	20
<b>Standard Package Quantity:</b>	100

### Dimensions

<b>Trade Size:</b>	1/2"
<b>Dimensions A:</b>	7/8
<b>Dimensions B:</b>	3/4
<b>Dimensions C:</b>	1-5/16

### Certifications & Codes

**Federal Specification Number:** A-A-50553A**UL File Number:** E9391**UNSPSC:** 39131707**Nema Standard:** FB-1**UL Standard:** UL-514B