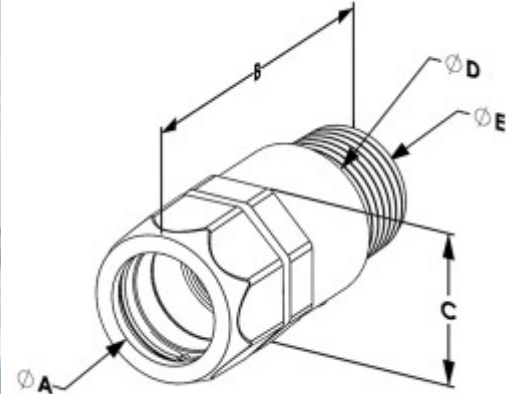


Mighty-Merge® Raintight NPT 1" EMT to HUB Connector

Zinc Die Cast Connectors assembled with a stainless steel nipple, used to secure EMT conduit to a threaded NPT hub. Provides a raintight /wet loc conduit bodies and hubs. Nema 4. US Patent 7,390,027.

[Download Photo](#)[Download Drawing](#)[Download Drawing](#)

Product details

Catalog Number:	292-RTNPT
UPC Number:	78174794272
Primary Materials:	Zinc Die Cast
Trade Size:	1"
Unit Quantity:	10
Standard Package Quantity:	50

Dimensions

Trade Size:	1"
Dimensions A:	1.184
Dimensions B:	2.755
Dimensions C:	1.5
Dimensions D:	1.41
Dimensions E:	1.049

Certifications & Codes

Federal Specification Number: A-A-50553

UNSPSC: 39131707

Nema Standard: FB-1

UL Standard: Listed ETL Conforms to UL STD 514B Certified to CAN/CSA STD. C22.2 No. 18.3

Patent Number: US Patent 7,390,027