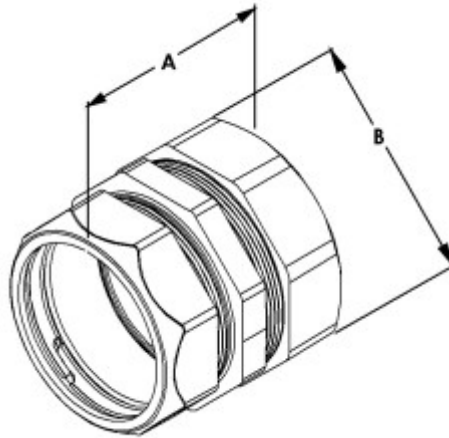


## Compression Transition Coupling, Rigid/IMC to EMT, Zinc Die Cast, 1 Inch

When exiting concrete slab or foundation, or transitioning overhead from Rigid to EMT, the CDC fittings provide a convenient, labor-saving, low profile and listed solution. These items are also listed as Concrete-Tight.



[Download Photo](#)



[Download Drawing](#)



[Download Drawing](#)

### Product details

<b>Catalog Number:</b>	292-CDC
<b>UPC Number:</b>	781747294292
<b>Primary Materials:</b>	Zinc Die Cast
<b>Finish:</b>	Ball Burnished
<b>Trade Size:</b>	1"
<b>Unit Quantity:</b>	10
<b>Standard Package Quantity:</b>	100

### Dimensions

<b>Trade Size:</b>	1"
<b>Dimensions A:</b>	2.125
<b>Dimensions B:</b>	1.725

### Certifications & Codes

**UNSPSC:** 39131707

**Nema Standard:** FB-1

**UL Standard:** CSA 22.2, UL-514B