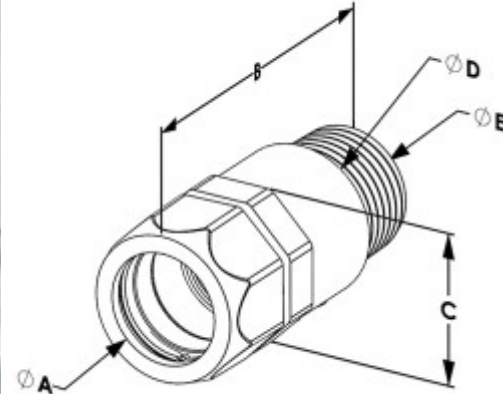


Mighty-Merge® Raintight NPT 1/2" EMT to HUB Connector

Zinc Die Cast Connectors assembled with a stainless steel nipple, used to secure EMT conduit to a threaded NPT hub. Provides a raintight /wet loc conduit bodies and hubs. Nema 4. US Patent 7,390,027.


[Download Photo](#)

[Download Drawing](#)

[Download Drawing](#)

Product details

Catalog Number:	290-RTNPT
UPC Number:	78174794270
Primary Materials:	Zinc Die Cast
Trade Size:	1/2"
Unit Quantity:	25
Standard Package Quantity:	100

Dimensions

Trade Size:	1/2"
Dimensions A:	0.727
Dimensions B:	2.188
Dimensions C:	1
Dimensions D:	0.98
Dimensions E:	0.622

Certifications & Codes

Federal Specification Number: A-A-50553

UNSPSC: 39131707

Nema Standard: FB-1

UL Standard: Listed ETL Conforms to UL STD 514B Certified to CAN/CSA STD. C22.2 No. 18.3

Patent Number: US Patent 7,390,027