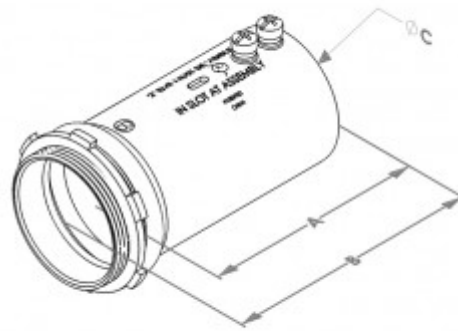


Mighty-Align® SLP Series Slip 4" EMT/Rigid Connectors

Mighty-Align® SLP Series Slip 4" EMT/Rigid Connectors. No more wasting time with short conduit cuts. Used to connect EMT to an enclosure in tight spaces or in between enclosures. To install, slide the connector onto conduit to the end stop, position EMT, and then slide the connector into the K.O. Align the end of the EMT with the sight window for proper fit.



[Download Photo](#)



[Download Drawing](#)



[Download Drawing](#)

Product details

Catalog Number:	239-SLP
UPC Number:	78174705239
Primary Materials:	Steel
Finish:	Zinc Plated
Trade Size:	4"
Standard Package Quantity:	1

Dimensions

Trade Size:	4"
Dimensions A:	6.81
Dimensions B:	7.71
Dimensions C:	4.79

Certifications & Codes

Federal Specification Number: A-A-50553

UL File Number: E24001

UNSPSC: 39121434

Nema Standard: FB-1

UL Standard: UL-514B

Patent Number: 9,705,295