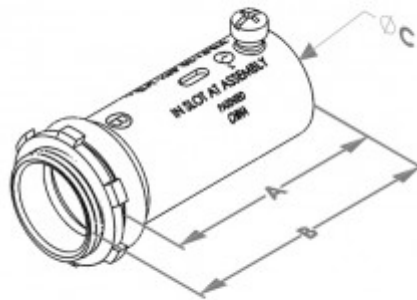


## Mighty-Align® SLP Series Slip 1" EMT Connectors

Mighty-Align® SLP Series Slip 1" EMT Connectors. No more wasting time with short conduit cuts. Used to connect EMT to an enclosure in tight or onto conduit to the end stop, position EMT, and then slide the connector into the K.O. Align the end of the EMT with the sight window for proper pi



[Download Photo](#)



[Download Drawing](#)



[Download Drawing](#)

### Product details

<b>Catalog Number:</b>	232-SLP
<b>UPC Number:</b>	78174705232
<b>Primary Materials:</b>	Steel
<b>Finish:</b>	Zinc Plated
<b>Trade Size:</b>	1"
<b>Unit Quantity:</b>	10
<b>Standard Package Quantity:</b>	100

### Dimensions

<b>Trade Size:</b>	1"
<b>Dimensions A:</b>	2.94
<b>Dimensions B:</b>	3.44
<b>Dimensions C:</b>	1.32

### Certifications & Codes

**Federal Specification Number:** A-A-50553

**UL File Number:** E24001

**UNSPSC:** 39121434

**Nema Standard:** FB-1

**UL Standard:** UL-514B

**Patent Number:** 9,705,295