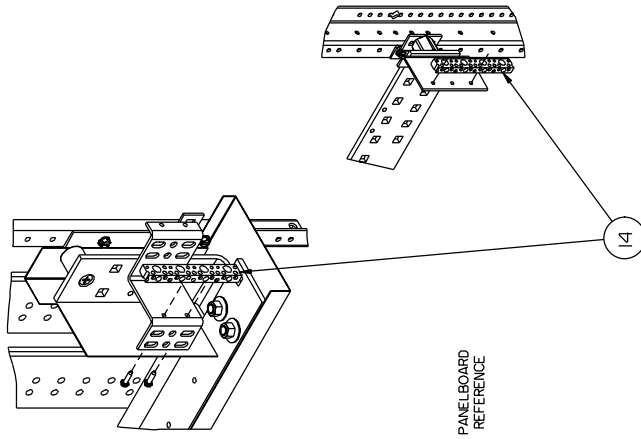


## Switchboard/Powerpanel Kit SBLBD/SBL for Branch Mounting Type BL/BQDH Breakers

Installation  
Instructions

9. Reference fig. 9 - Installing the Neutral Lug Assembly (item 14). The Branch Neutral is mounted at the bottom of the "Z-rails", or mirrored at the top depending upon the feed cable location. The Neutral Lug Assembly (item 14) can be mounted (as shown) on either side of the Branch Neutral depending on cable feed location. Torque all hardware as specified on the rear of the dead front.



SWITCHBOARD  
REFERENCE

Figure 9

10. Install the Breaker Cover Plate (item 7), use Filler Plate Assemblies (item 15) to cover empty circuit breaker slots. Reinstall the dead front using the breaker cover plate supplied with this kit. Other cover plates may be required for proper fit. See filler plate kits listed on the rear of the dead front.

## Installation Instructions

The following instructions are for the installation of Siemens BL/BQD Breakers in switchboard or shallow/deep panelboards. This kit will require 3-3/4" of unit space. The parts provided in this kit are for connections to a 3 phase / 3 wire or 3 phase / 4 wire system.

**⚠ DANGER**

**Hazardous voltage. Will cause death or serious injury.**

Keep out. Qualified personnel only. Disconnect and lock off all power before working on this equipment.

1. Lock off power supplying this equipment before working on it.
2. Reference fig. 1 - Remove the (2) gutter covers and cover plates.

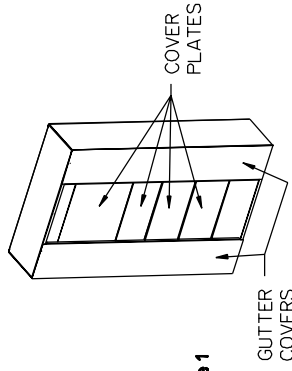


Figure 1

3. Reference fig. 2 - To mount a BL/BQD Breaker, 3-3/4" of empty unit space is required. To locate the mounting position, measure from the top dead front support to the top of the empty unit space filler on the dead front. Transfer this dimension from the dead front support along the Z-rail and mark. This will be the unit space as shown on Fig. 4. After marking the Z-rail, remove the dead front.

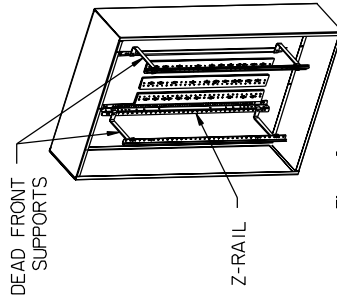


Figure 2

4. Open the shipping box and check the hardware against the following list.

ITEM	DESCRIPTION	QTY.
1	BL/BQDH BREAKER INSTALLATION INSTR	1
2	BL - BOD A/C STRAP	2
3	BL - BOD BØ STRAP	1
4	TOP BARRIER	1
5	BARRIER SUPPORT	2
6	A/C BRANCH CONNECTOR	2
7	BREAKER COVER PANEL	1
8	CARD HOLDER	6
9	CIRCUIT ID CARD	1
10	STRAP - SECTION BUS HARDWARE KIT	1
11	IO-32 HEX WASHER HEAD SCREW	6
12	IO-24 X 3/8" SHWSW	2
13	1/4-20 X 3/8" SHWSW	6
14	NEUTRAL LUG ASSEMBLY	1
15	EQ FILLER PLATE	5
16	BOX	1
17	CARTON LABEL	1

5. Reference fig. 4 - Installing the Phase Straps. Locate two 0.228" diameter holes in the AØ Bus 1-1/4" down from the top of the 3-3/4" empty unit space selected. Insert two 1/4-20 thread forming screws (see mounting hardware kit for the proper length) through two 0.281" diameter holes in an A/C Strap (item 2) and into the holes in the two selected holes in the AØ Bus (orienting the A/C Strap as shown) and tighten. Repeat this step to mount the second A/C Phase Strap to the CØ Bus using two 0.228" diameter holes in the CØ Bus down 1-1/4" from the holes used on the AØ Bus and tighten. Insert another 1/4-20 thread forming screw through the 0.281" diameter hole in the BØ Strap (item 3) and into a 0.228" diameter hole in the BØ Bus down 1-1/4" down from and 3-5/8" to the right of those used on the AØ Bus (orienting the BØ Strap as shown) and tighten. Torque all hardware as specified on the rear of the deadfront.

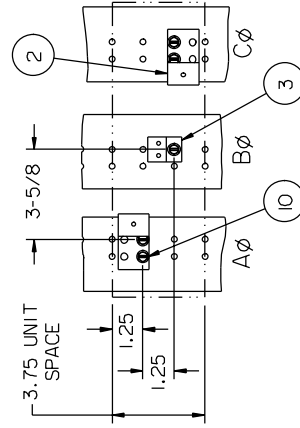


Figure 4

6. Reference fig. 5 - Attach the Barrier Supports. Locate a 0.228" diameter hole in the left Z-rail 1-7/8" below the top of the empty unit space selected. Insert a 1/4-20 X 3/8" screw (item 13) through the Ø 0.312 hole in a Barrier Support (item 5) and into the selected hole in the Z-rail (orienting the Barrier Support as shown) and tighten. Repeat this step for the second Barrier Support. Torque all hardware as specified on the rear of the deadfront.

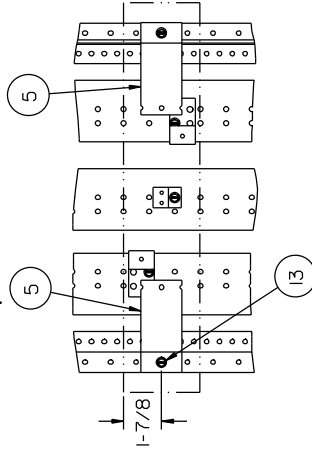


Figure 5

7. Reference fig. 6 - Installing the Top Barrier and Branch Connectors. Insert a 1/4-20 X 3/8" screw (item 13) through each of the 0.228" diameter holes in the Top Barrier (item 4) and into the 0.228" diameter holes in the Barrier Supports and tighten. Insert a 10-24 X 3/8" screw (item 12) through the 0.218" diameter hole in a Branch Connector (item 6) and into the 0.171" diameter hole in the AØ Strap and tighten. Insert a 10-24 X 3/8" screw (item 12) through the 0.218" diameter hole in a Branch Connector (item 6) and into the 0.171" diameter hole in the CØ Strap and tighten. Torque all hardware as specified on the rear of the deadfront.

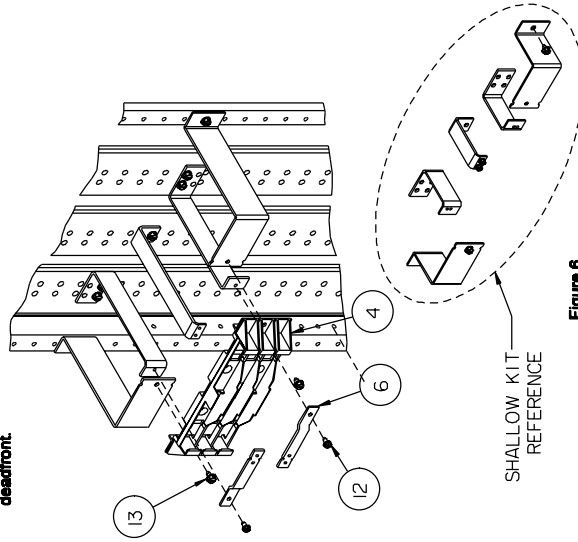


Figure 6

8. Reference figs. 7 and 8 - Installing a BL/BQD Circuit Breaker. Position a BL or BQD type breaker so that the notch in the breaker's shell engages the uppermost latching tab on the left side of the Top Barrier. Insert a 10-24 X 3/32 screw (item 11) into the 0.20" diameter hole in the metal contact of the circuit breaker and rotate the breaker to insert the 10-24 X 3/32 screw into the hole in the Branch Connector. This step can be repeated or mirrored as additional circuit breakers. Torque all hardware as specified on the rear of the deadfront.

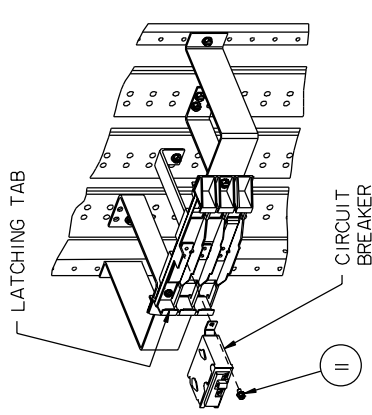


Figure 7

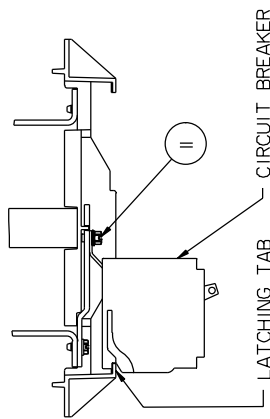


Figure 8

NOTE: If a Branch Neutral Lug Assembly is NOT Required Skip To Step 10.