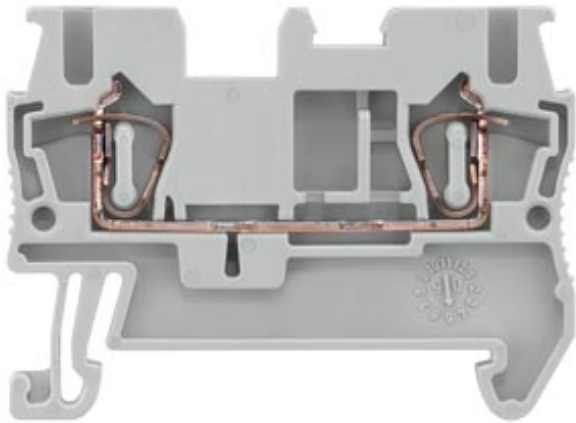


Through-type terminals with spring-loaded connection, Cross section:
0.08-2.5 mm², Width: 5.2mm, Color: gray



Model	
Product brand name	ALPHA
Product designation	ALPHA FIX terminal blocks
Design of terminal / Terminal levels internally linked	No
General technical data	
Terminal contact spacing	5.2 mm
Protection class	
Combustibility class acc. to UL 94	V0
Main circuit	
Operating voltage / rated value	800 V
Operating current / rated value	31 A
Appearance	
Color	grey
Product details	
Product component / required / connection plate	No
Number	

Number of terminal levels	1
Number of terminal points / per terminal level	2

Connections

Connectable conductor cross-section / stranded	
<ul style="list-style-type: none"> • minimum • maximum 	0.08 mm ² 4 mm ²
Wire stripping length	10 mm
Connectable conductor cross-section	
<ul style="list-style-type: none"> • solid <ul style="list-style-type: none"> — minimum — maximum • finely stranded <ul style="list-style-type: none"> — with core end processing / minimum — with core end processing / maximum — without core end processing / minimum — without core end processing / maximum 	0.08 mm ² 4 mm ² 0.08 mm ² 2.5 mm ² 0.08 mm ² 2.5 mm ²
Type of electrical connection	
<ul style="list-style-type: none"> • 1 • 2 	spring-loaded terminal spring-loaded terminal
Position / of the terminal	top

Mechanical Design

Mounting type	DIN rail 35 mm
Net weight	6 g
Material / of the insulating body	Other

Environmental conditions

Ambient temperature	
<ul style="list-style-type: none"> • during operation / minimum • during operation / maximum 	-25 °C 55 °C

Certificates

Design tested acc. to type of protection / EEx e	No
--	----

General Product Approval	Declaration of Conformity	other
---------------------------------	----------------------------------	--------------



[Miscellaneous](#)

Further information

Information- and Downloadcenter (Catalogs, Brochures,...)
<http://www.siemens.com/lowvoltage/catalogs>

Industry Mall (Online ordering system)

<https://mall.industry.siemens.com/mall/en/en/Catalog/product?mlfb=8WH2000-0AF00>

Service&Support (Manuals, Certificates, Characteristics, FAQs,...)

<https://support.industry.siemens.com/cs/ww/en/ps/8WH2000-0AF00>

Image database (product images, 2D dimension drawings, 3D models, device circuit diagrams, ...)

http://www.automation.siemens.com/bilddb/cax_en.aspx?mlfb=8WH2000-0AF00

CAX-Online-Generator

<http://www.siemens.com/cax>

Tender specifications

<http://www.siemens.com/specifications>