



Lighting contactor

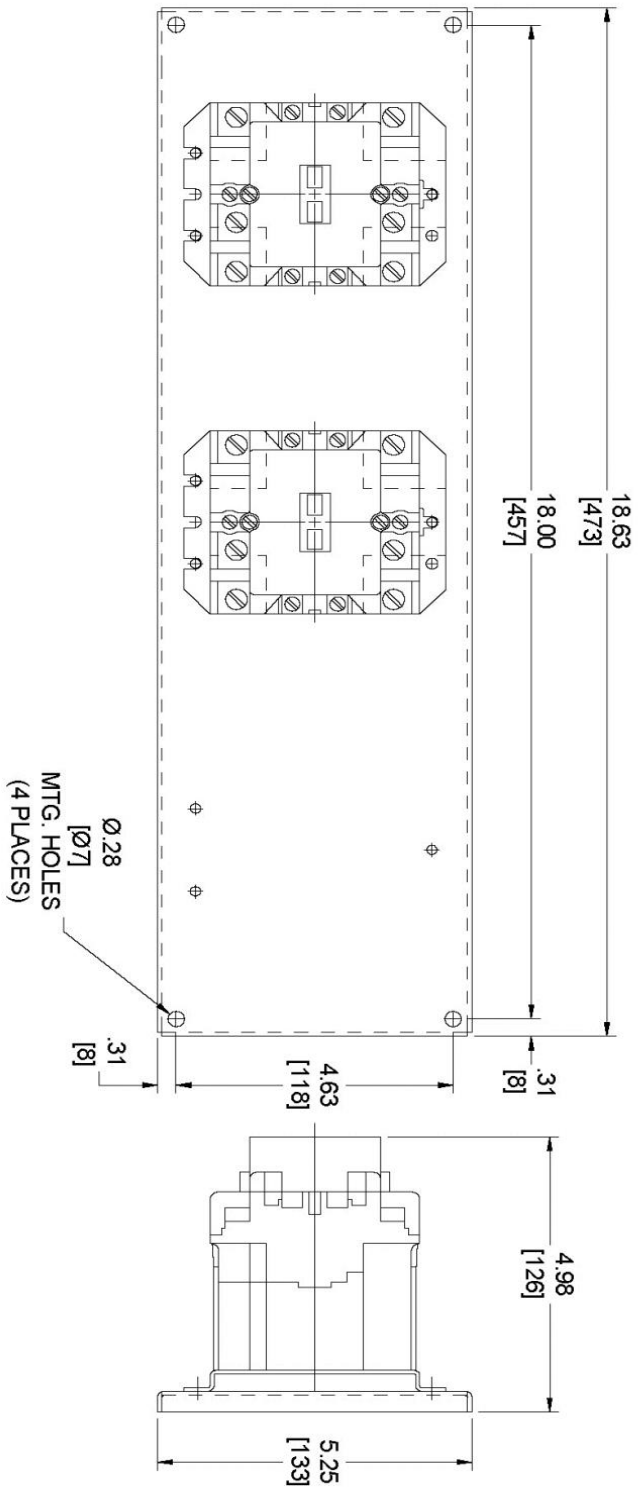
Rating 600VAC
110/120VAC 50/60Hz
(enclosure)

Image is representative and may not depict the actual product.

General technical data:	
Weight	7 lb
Height x Width x Depth	133 x 473 x 126 mm
Finger-safe (main circuit / control circuit)	No / No
Maximum altitude	6560 ft
Ambient storage temperature	(no data)
Ambient operating temperature	(no data)
Humidity (% non-condensing)	(no data)
Country of origin	USA
Contactors:	
Number of poles	6NO / 0NC
Mechanical operating cycles	10,000,000
Current ratings:	
Tungsten (poles per phase)	30A @277V 1p 1ph 30A @ 480V 2p 1ph 30A @480V 3p 3ph
Ballast (poles per phase)	30A @347V 1p 1ph 30A @600V 2p 1ph 30A @600V 3p 3ph
General & resistive (poles per phase)	30A @347V 1p 1ph 30A @600V 2p 1ph 30A @600V 3p 3ph
Internal/standard auxiliary contact:	
Number of NC / NO auxiliary contacts	0NC / 0NO
Rating	NA
Optional auxiliary contact:	
Max number of NC / NO auxiliary contacts	4 max NC/NO combination
Rating	10A@600VAC (A600), 1A@300VDC (R300)
Coil:	
Voltage	110/120V 50/60Hz Coil
Sealed watts	(no data)
Inrush / sealed power	820 / 80 VA
Normal coil operating limits (% of rated voltage)	85% - 110%
Typical drop-out volts (% of rated voltage)	(no data)
Pick-up time / Drop-out time	(no data)
Disconnect type (none):	
Rating	NA
Fuse type accepted	NA

Enclosure:	
Type	Open device (no enclosure)
Rating	NA
Mounting/wiring:	
Mounting orientation	Vertical
Mounting type	Surface
Line side connection type / torque	Screw / 18 - 20 lb-in.
Line side solid & stranded conductors	2 x (14 - 8 AWG) 75°C CU
Load side connection type / torque	Screw / 18 - 20 lb-in.
Load side solid & stranded conductors	2 x (14 - 8 AWG) 75°C CU
Coil connection type / torque	Screw / 8 - 12 lb in.
Coil solid & stranded conductors	2 x (16 - 12 AWG) CU 75°C
Main auxiliary contact connection type / torque	NA
Main auxiliary contact solid & stranded conductors	NA
Short circuit current rating:	
Fuses	none
Thermal magnetic circuit breaker	5kA@600V (30A max CB)
Additional information:	
	Brochure

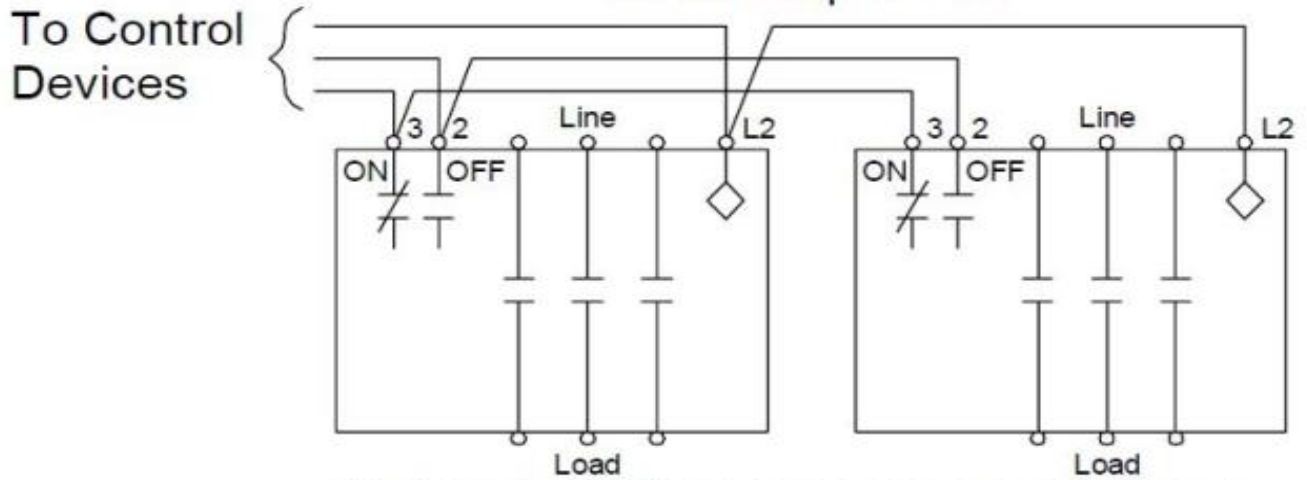
CLM, 30/60A, 6 & 8 POLE



Dimensions in inches [mm]

Ref. D38327

Wiring Diagram Class CLM 30-60 Amp 6 Pole



Optional auxiliary contacts are not shown.