



SIRIUS SAFETY RELAY BASIC UNIT ADVANCED SERIES WITH
 TIME DELAY 0.5-30S ELECTRONIC ENABLING CIRCUITS 2
 INSTANTANEOUS 2 DELAYED US = 24 V DC SCREW TERMINAL

| General technical data: | |
|---|--|
| product brand name | SIRIUS |
| Product designation | safety relays |
| Design of the product | For autonomous safety applications |
| Protection class IP of the enclosure | IP20 |
| Protection against electrical shock | finger-safe |
| Insulation voltage Rated value | 50 V |
| Ambient temperature | |
| • during storage | -40 ... +80 °C |
| • during operation | -25 ... +60 °C |
| Air pressure acc. to SN 31205 | 90 ... 106 kPa |
| Relative humidity during operation | 10 ... 95 % |
| Installation altitude at height above sea level maximum | 2 000 m |
| Vibration resistance acc. to IEC 60068-2-6 | 5 ... 500 Hz: 0,75 mm |
| Shock resistance | 10g / 11 ms |
| Surge voltage resistance Rated value | 500 V |
| EMC emitted interference | IEC 60947-5-1, Class A |
| Installation environment regarding EMC | This product is suitable for Class A environments only. It can cause undesired radio-frequency interference in residential environments. If this is the case, the user must take appropriate measures. |
| Overvoltage category | Installation category III |
| Degree of pollution | 3 |
| Number of sensor inputs 1-channel or 2-channel | 1 |
| Design of the cascading | yes |

| | |
|---|--------------------------------|
| Type of the safety-related wiring of the inputs | single-channel and two-channel |
| Product property cross-circuit-proof | Yes |
| Safety Integrity Level (SIL) | |
| • acc. to IEC 61508 | SIL3 |
| • for delayed release circuit acc. to IEC 61508 | SIL3 |
| Performance level (PL) | |
| • acc. to EN ISO 13849-1 | e |
| • for delayed release circuit acc. to EN ISO 13849-1 | e |
| Category acc. to EN ISO 13849-1 | 4 |
| Safe failure fraction (SFF) | 99 % |
| PFHD with high demand rate acc. to EN 62061 | 0.0000000015 1/h |
| Average probability of failure on demand (PFDavg) with low demand rate acc. to IEC 61508 | 0.000007 1/y |
| T1 value for proof test interval or service life acc. to IEC 61508 | 20 y |
| Hardware fault tolerance acc. to IEC 61508 | 1 |
| Safety device type acc. to IEC 61508-2 | Type B |
| Number of outputs as contact-affected switching element | |
| • as NC contact | |
| — for signaling function instantaneous contact | 0 |
| — for signaling function delayed switching | 0 |
| — safety-related instantaneous contact | 0 |
| — safety-related delayed switching | 0 |
| • as NO contact | |
| — for signaling function instantaneous contact | 0 |
| — for signaling function delayed switching | 0 |
| Number of outputs as contact-less semiconductor switching element | |
| • safety-related | |
| — delayed switching | 2 |
| — instantaneous contact | 2 |
| • for signaling function instantaneous contact | 0 |
| Stop category acc. to DIN EN 60204-1 | 0 / 1 |

General technical data:

| | |
|---|-----|
| Design of input | |
| • cascading input/functional switching | Yes |
| • feedback input | Yes |
| • Start input | Yes |
| Type of electrical connection Plug-in socket | No |

| | |
|--|--------------|
| Operating frequency maximum | 2 000 1/h |
| Switching capacity current | |
| • of semiconductor outputs at DC-13 at 24 V | 2 A |
| Design of the fuse link for short-circuit protection of the NO contacts of the relay outputs required | not required |
| Cable length | |
| • with Cu 1.5 mm ² and 150 nF/km per sensor circuit maximum | 4 000 m |
| Make time with automatic start | |
| • for DC maximum | 85 ms |
| Make time with automatic start after power failure | |
| • typical | 6 500 ms |
| • maximum | 6 500 ms |
| Make time with monitored start | |
| • maximum | 85 ms |
| Backslide delay time after opening of the safety circuits typical | 40 ms |
| Backslide delay time in the event of power failure | |
| • typical | 0 ms |
| • maximum | 0 ms |
| Adjustable OFF-delay time after opening of the safety circuits | 0.5 ... 30 |
| Recovery time after opening of the safety circuits typical | 30 ms |
| Recovery time after power failure typical | 6.5 s |
| Pulse duration | |
| • of the sensor input minimum | 60 ms |
| • of the ON pushbutton input minimum | 0.15 s |

Control circuit/ Control:

| | |
|---|-------------|
| Type of voltage of the control supply voltage | DC |
| Control supply voltage | |
| • for DC | |
| — Rated value | 24 V |
| Operating range factor control supply voltage rated value of the magnet coil | |
| • for DC | 0.8 ... 1.2 |
| Active power loss typical | 2 W |

Installation/ mounting/ dimensions:

| | |
|--|----------------------------|
| mounting position | any |
| Required spacing for grounded parts at the side | 5 mm |
| Required spacing with side-by-side mounting at the side | 0 mm |
| Mounting type | screw and snap-on mounting |

| | |
|--------|----------|
| Width | 22.5 mm |
| Height | 100 mm |
| Depth | 121.6 mm |

Connections/ Terminals:

| | |
|--|--|
| Type of electrical connection | screw-type terminals |
| Type of connectable conductor cross-section | 1x (0.5 ... 2.5 mm ²), 2x (1.0 ... 1.5 mm ²) |
| <ul style="list-style-type: none"> • solid • finely stranded — with core end processing | 1x (0.5 ... 2.5 mm ²), 2x (0.5 ... 1.0 mm ²) |
| Type of connectable conductor cross-section for AWG conductors | |
| <ul style="list-style-type: none"> • solid • stranded | 1x (20 ... 14), 2x (18 ... 16) 1x (20 ... 16), 2x (20 ... 16) |

Product Function:

| | |
|---|--|
| Product function parameterizable | Sensor floating / sensor non-floating, monitored start / autostart, 1-channel / 2-channel sensor connection, cross-circuit detection, startup testing, antivalent sensors, 2-hand switches, time delay |
| Suitability for operation Device connector 3ZY12 | Yes |
| Suitability for interaction press control | Yes |
| Suitability for use | |
| <ul style="list-style-type: none"> • safety switch • Monitoring of floating sensors • Monitoring of non-floating sensors • magnetically operated switch monitoring • safety-related circuits | Yes Yes Yes Yes Yes |

Certificates/ approvals:

| | | | |
|--------------------------|-----|---------------------------------------|---------------------------|
| General Product Approval | EMC | Functional Safety/Safety of Machinery | Declaration of Conformity |
|--------------------------|-----|---------------------------------------|---------------------------|



[Type Examination](#)



| | |
|-------------------|-------|
| Test Certificates | other |
|-------------------|-------|

[Type Test Certificates/Test Report](#)

[Confirmation](#)

Further information

Information- and Downloadcenter (Catalogs, Brochures,...)

<http://www.siemens.com/industrial-controls/catalogs>

Industry Mall (Online ordering system)

<http://www.siemens.com/industrymall>

Cax online generator

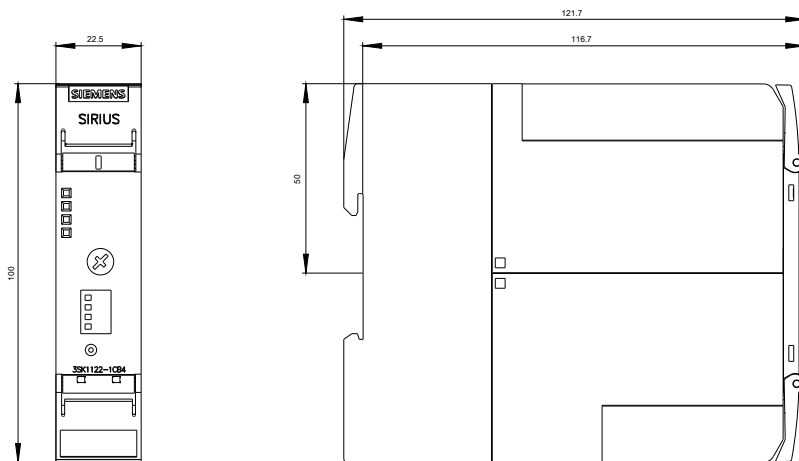
<http://support.automation.siemens.com/WW/CAXorder/default.aspx?lang=en&mfb=3SK11221CB42>

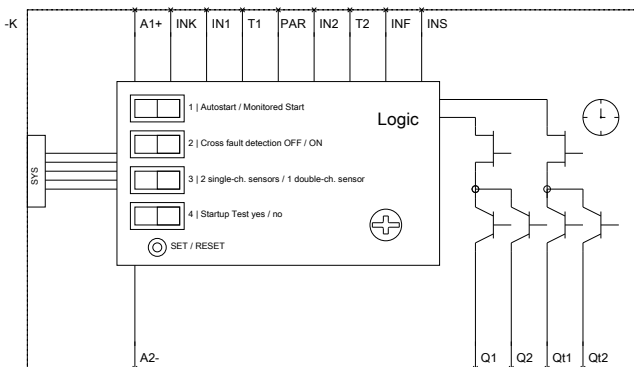
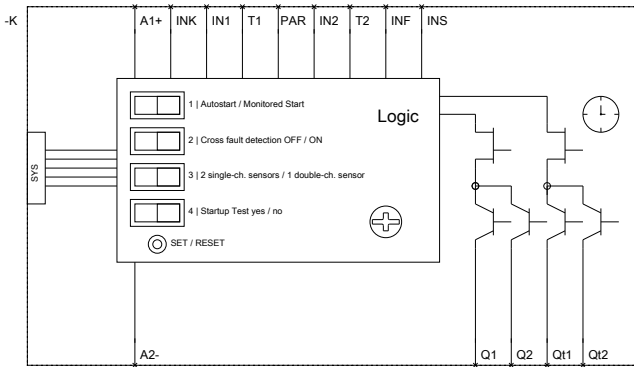
Service&Support (Manuals, Certificates, Characteristics, FAQs,...)

<https://support.industry.siemens.com/cs/ww/en/ps/3SK11221CB42>

Image database (product images, 2D dimension drawings, 3D models, device circuit diagrams, EPLAN macros, ...)

http://www.automation.siemens.com/bilddb/cax_de.aspx?mfb=3SK11221CB42&lang=en





last modified:

05.05.2015