





SEPARATE ACTUATOR, UNIVERSAL RADIUS ACTUATOR 'HEAVY DUTY' VERSION VERTICALLY AND HORIZONTALLY ADJUSTABLE, L= 67 MM FOR POSITION SWITCHES WITH TUMBLER 3SE5312../3SE5322.. AND ASI 3SF13... AND POSITION SWITCHES WITH SEPARATE ACTUATOR 3SE51../ 3SE52.. AND ASI - WITH SEPARATE ACTUATOR 3SF11../3SF12..

Figure similar

Product designation	actuator
General technical data:	
Vibration resistance	
<ul style="list-style-type: none"> • acc. to IEC 60068-2-6 	0.35 mm/5g
Mechanical service life (switching cycles)	
<ul style="list-style-type: none"> • typical 	1 000 000
Equipment marking	
<ul style="list-style-type: none"> • acc. to DIN EN 61346-2 	T
<ul style="list-style-type: none"> • acc. to DIN EN 81346-2 	T
Active principle	mechanical
Drive Head:	
Design of the operating mechanism	universal actuator
Ambient conditions:	
Ambient temperature	
<ul style="list-style-type: none"> • during operation 	-25 ... +85 °C
<ul style="list-style-type: none"> • during storage 	-40 ... +90 °C
Installation/ mounting/ dimensions:	
mounting position	any
Mounting type	screw fixing
Certificates/ approvals:	

General Product Approval	Declaration of Conformity	Test Certificates	other
 CSA	 UL	 EAC	 EG-Konf.
		spezielle Prüfbescheinigungen n	Bestätigungen

Further information

Information- and Downloadcenter (Catalogs, Brochures,...)

<http://www.siemens.com/industrial-controls/catalogs>

Industry Mall (Online ordering system)

<http://www.siemens.com/industrymall>

Cax online generator

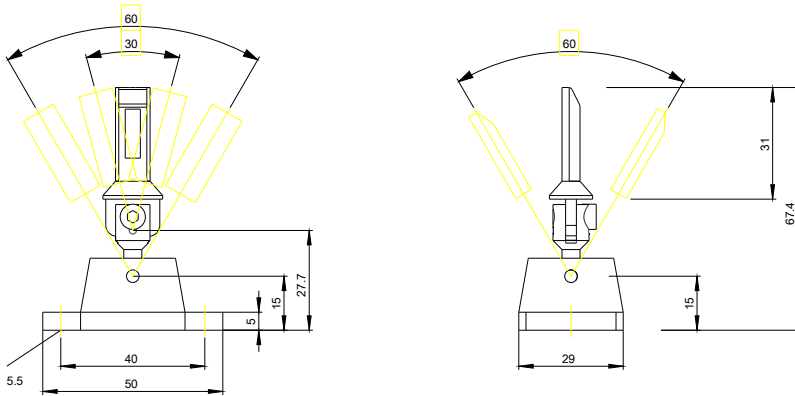
<http://support.automation.siemens.com/WW/CAXorder/default.aspx?lang=en&mlfb=3SE50000AV071AK2>

Service&Support (Manuals, Certificates, Characteristics, FAQs,...)

<https://support.industry.siemens.com/cs/ww/en/ps/3SE50000AV071AK2>

Image database (product images, 2D dimension drawings, 3D models, device circuit diagrams, EPLAN macros, ...)

http://www.automation.siemens.com/bilddb/cax_de.aspx?mlfb=3SE50000AV071AK2&lang=en



last modified:

02.06.2015