

SAFETY POSITION SWITCH WITH SEPERATE ACTUATOR
 MOLDED-PLASTIC ENCLOSURE LATERAL AND FRONTAL
 SLOW-ACTION CONTACTS, 1NO+2NC, 3X(M20X1.5)
 EXTRACTION FORCE 5N DELIVERY WITHOUT ACTUATOR



Figure similar

Product designation	safety position switch
General technical data:	
Protection class IP	IP67
Equipment marking	
<ul style="list-style-type: none"> • acc. to DIN EN 61346-2 • acc. to DIN EN 81346-2 	B B
Active principle	mechanical
Enclosure:	
Design of the housing	wide
Material of the enclosure	glass fiber reinforced thermoplast
Coating of the enclosure	Other types
Design of the housing acc. to standard	No
Drive Head:	
Design of the operating mechanism	without
Design of the switching function	positive opening
Connections/ Terminals:	
Type of electrical connection	screw-type terminals

Communication/ Protocol:

Design of the interface without

Ambient conditions:

Ambient temperature
• during operation -30 ... +85 °C

Installation/ mounting/ dimensions:

Mounting type screw fixing

Certificates/approvals

General Product Approval

Declaration of Conformity

Shipping Approval



Shipping Approval

other



[Bestätigungen](#)

[sonstig](#)

Further information

Information- and Downloadcenter (Catalogs, Brochures,...)

<http://www.siemens.com/industrial-controls/catalogs>

Industry Mall (Online ordering system)

<https://mall.industry.siemens.com/mall/en/en/Catalog/product?mlfb=3SE22430XX40>

Cax online generator

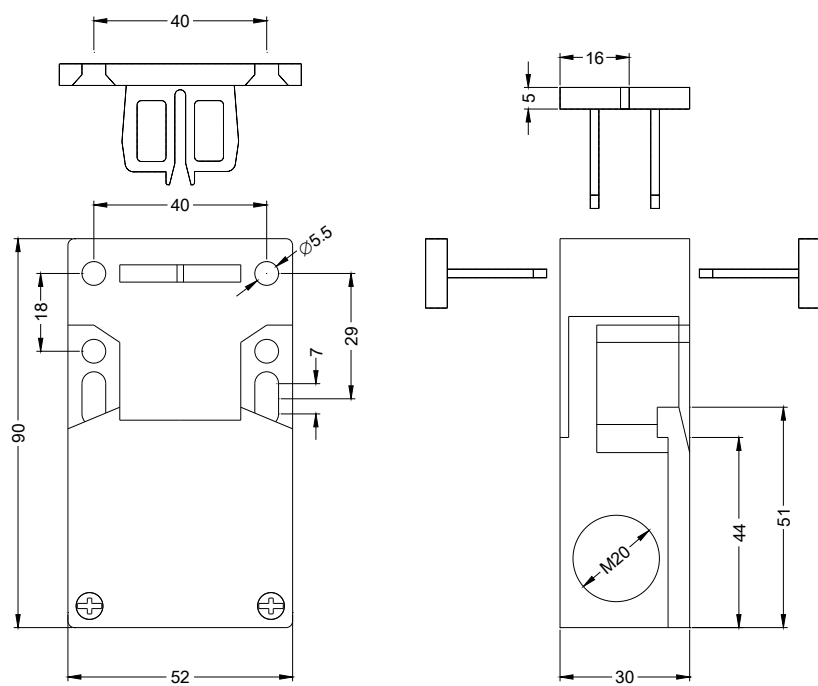
<http://support.automation.siemens.com/WW/CAXorder/default.aspx?lang=en&mlfb=3SE22430XX40>

Service&Support (Manuals, Certificates, Characteristics, FAQs,...)

<https://support.industry.siemens.com/cs/ww/en/ps/3SE22430XX40>

Image database (product images, 2D dimension drawings, 3D models, device circuit diagrams, EPLAN macros, ...)

http://www.automation.siemens.com/bilddb/cax_de.aspx?mlfb=3SE22430XX40&lang=en



last modified:

07.04.2016