



**Reversing motor starter**  
**NEMA controller size 0**  
**3-Phase, 3-Pole**  
**Maximum voltage rating 600VAC**  
**Max Hp 60Hz: 3@200V; 3@230V; 5@460V; 5@575V**  
**Ambient compensated bimetal overload relay(s)**  
**Control voltage 110–120/220–240VAC 60Hz**  
**Open device (no enclosure)**

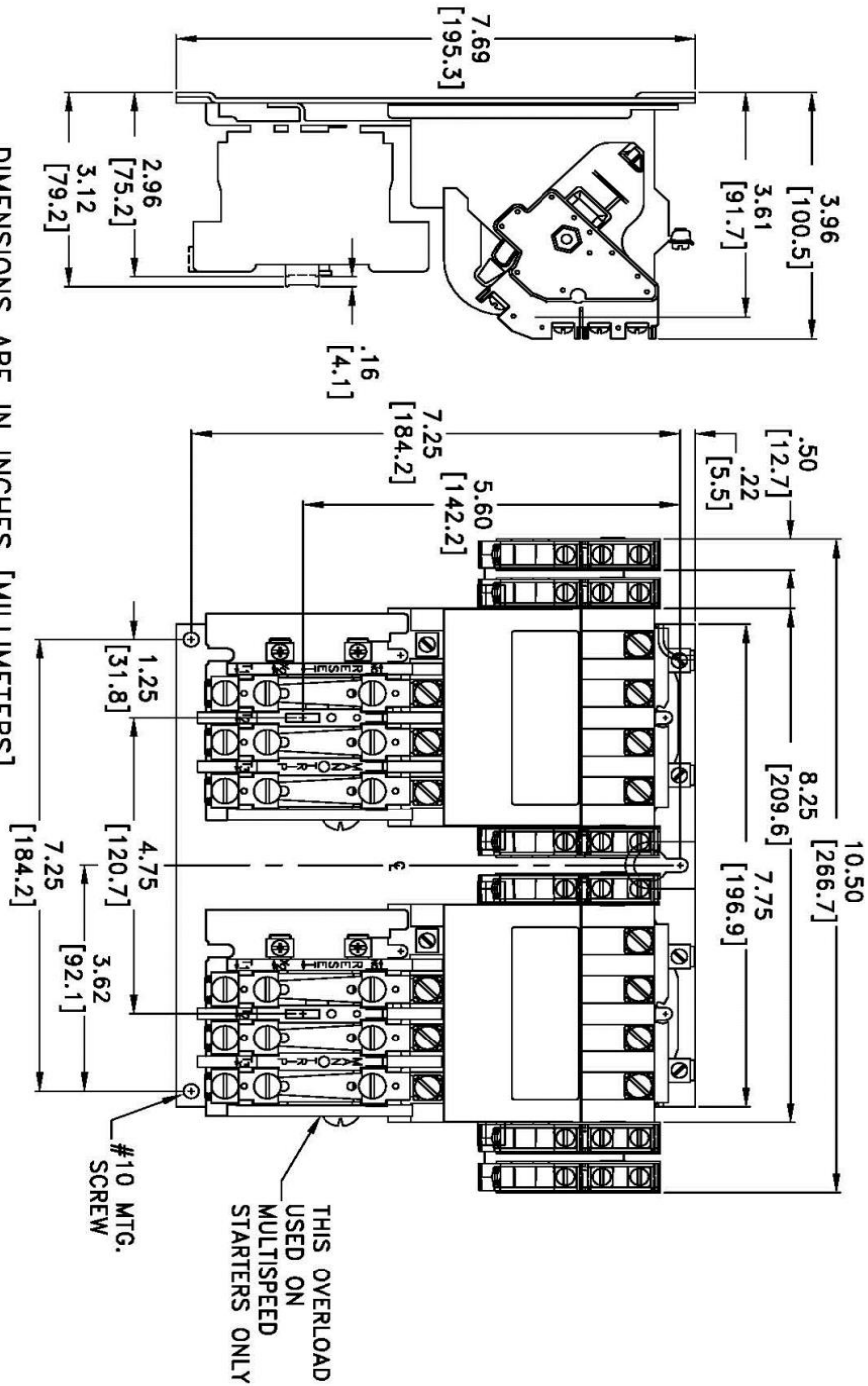


Image is representative and may not depict the actual product.

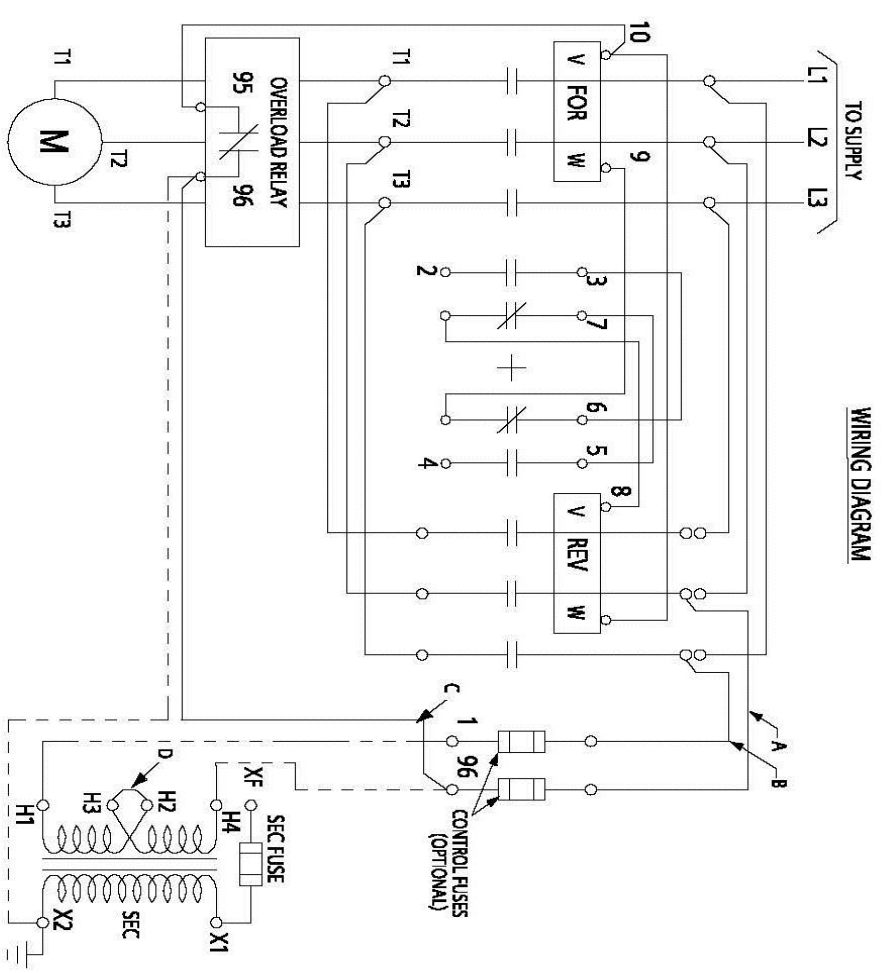
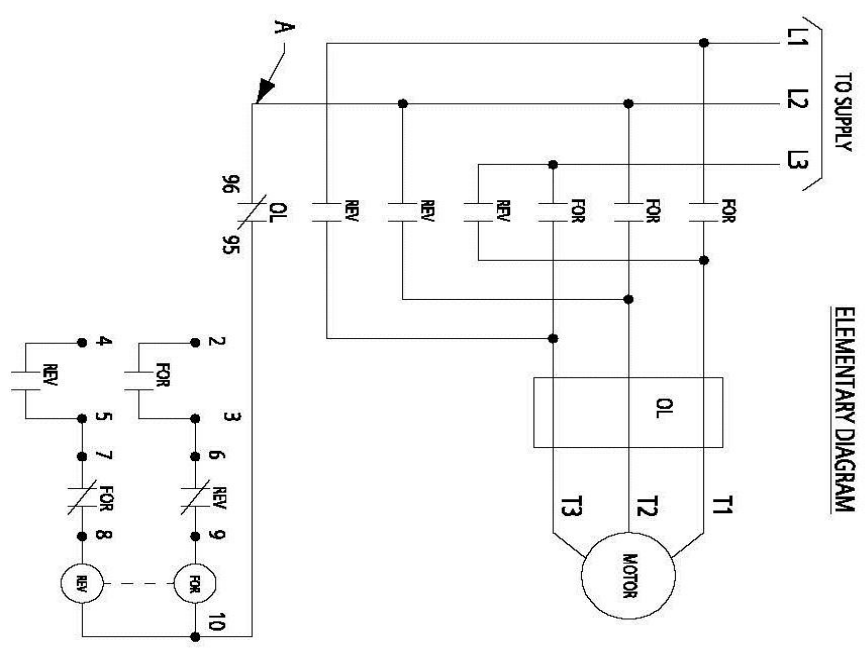
| <b>General technical data:</b>                    |                                     |
|---|-------------------------------------|
| Weight  | 6.4 lb                              |
| Height x Width x Depth                            | 7.69 x 10.50 x 3.96 in.             |
| Finger-safe (main circuit / control circuit)      | No / No                             |
| Maximum altitude                                  | 6560 ft                             |
| Ambient storage temperature                       | (-30 to 65)°C / (-22 to 149)°F      |
| Ambient operating temperature                     | (-20 to 40)°C / (-4 to 104)°F       |
| Humidity (% non-condensing)                       | (no data)                           |
| Rated impulse voltage resistance                  | (no data)                           |
| Rated insulation voltage                          | (no data)                           |
| Country of origin                                 | Mexico                              |
| <b>Contactors:</b>                                |                                     |
| Number of NO main contacts                        | 6                                   |
| Amp rating  | 18A                                 |
| Mechanical operating cycles                       | 10,000,000                          |
| <b>Internal/standard auxiliary contact:</b>       |                                     |
| Number of NC / NO auxiliary contacts              | 2NC / 2NO                           |
| Rating  | 10A@600VAC (A600), 5A@600VDC (P600) |
| <b>Optional auxiliary contact:</b>                |                                     |
| Max number of NC / NO auxiliary contacts          | 8 total                             |
| Rating  | 10A@600VAC (A600), 5A@600VDC (P600) |
| <b>Coil:</b>                                      |                                     |
| Voltage   | 110–120/220–240VAC 60Hz Coil        |
| Sealed watts                                      | 8.6W                                |
| Inrush / sealed power                             | 218 / 25 VA                         |
| Normal coil operating limits (% of rated voltage) | 85% - 110%                          |
| Typical drop-out volts (% of rated voltage)       | 50%                                 |
| Pick-up time / Drop-out time                      | 19-29 / 10-24 msec                  |
| <b>Overload Relay:</b>                            |                                     |
| Repeat accuracy                                   | (no data)                           |
| Trip adjustment                                   | +/-15%                              |
| Reset options                                     | Manual and automatic                |
| External reset                                    | No                                  |
| Test function                                     | Manual actuation                    |
| Number of NC / NO auxiliary contacts              | 1NC / 0NO                           |
| Rating of auxiliary contacts                      | 10A@600VAC (A600), 5A@250VDC (P300) |
| Single contact isolation                          | (no data)                           |
| Dual contact isolation                            | (no data)                           |
| <b>Enclosure:</b>                                 |                                     |
| Type  | Open device (no enclosure)          |

|  |   |
|--|---|
| Rating   | NA  |
| <b>Mounting/wiring:</b>                            |   |
| Mounting orientation                               | Vertical  |
| Mounting type                                      | Surface   |
| Line side connection type / torque                 | Screw / 20 lb-in.                                   |
| Line side solid & stranded conductors              | 1x(14 - 2 AWG) 75°C AL or CU                        |
| Load side connection type / torque                 | Screw / 35 lb in.                                   |
| Load side solid & stranded conductors              | (no data)   |
| Coil connection type / torque                      | Screw / 5 lb in. - 12 lb in.                        |
| Coil solid & stranded conductors                   | 2 x (16 - 12 AWG) CU 60/75°C                        |
| Main auxiliary contact connection type / torque    | (no data)   |
| Main auxiliary contact solid & stranded conductors | (no data)   |
| OLR auxiliary contact connection type / torque     | Screw / 5 lb in. - 12 lb in.                        |
| OLR auxiliary contact solid & stranded conductors  | 2 x (16 - 12 AWG) CU 60/75°C                        |
| <b>Short circuit current rating:</b>               |   |
| Fuses  | 10kA@600V (Class H or K); 100kA@600V (Class R or J) |
| Thermal Magnetic Circuit Breaker                   | 14kA@240V; 10kA@600V                                |
| <b>Certificates/approvals:</b>                     |   |
|  | <a href="#">UL (file no. E14900)</a>                |
|  | <a href="#">cUL (file no. E14900 for Canada)</a>    |
|  | <a href="#">CSA (file no. LR 6535)</a>              |
|  | <a href="#">ISO 9001 certification</a>              |
| <b>Additional information:</b>                     |   |
|  | <a href="#">Brochure</a>                            |

OUTLINE NEMA SIZE 00 - 1 3/4 CLASS 22/30 REV'G & MULTISPEED STARTER



DIMENSIONS ARE IN INCHES [MILLIMETERS]  
 FILE NAME: D38235018



REF. D46590003