



Non-reversing motor starter
Controller half size 1 3/4
Single Phase, 2-Pole
Maximum voltage rating 240VAC
Max Hp 60Hz: 3@115V; 5@208/230V
Ambient compensated bimetal overload relay(s)
Control voltage 110VAC 50Hz / 120VAC 60Hz
Open device (no enclosure)

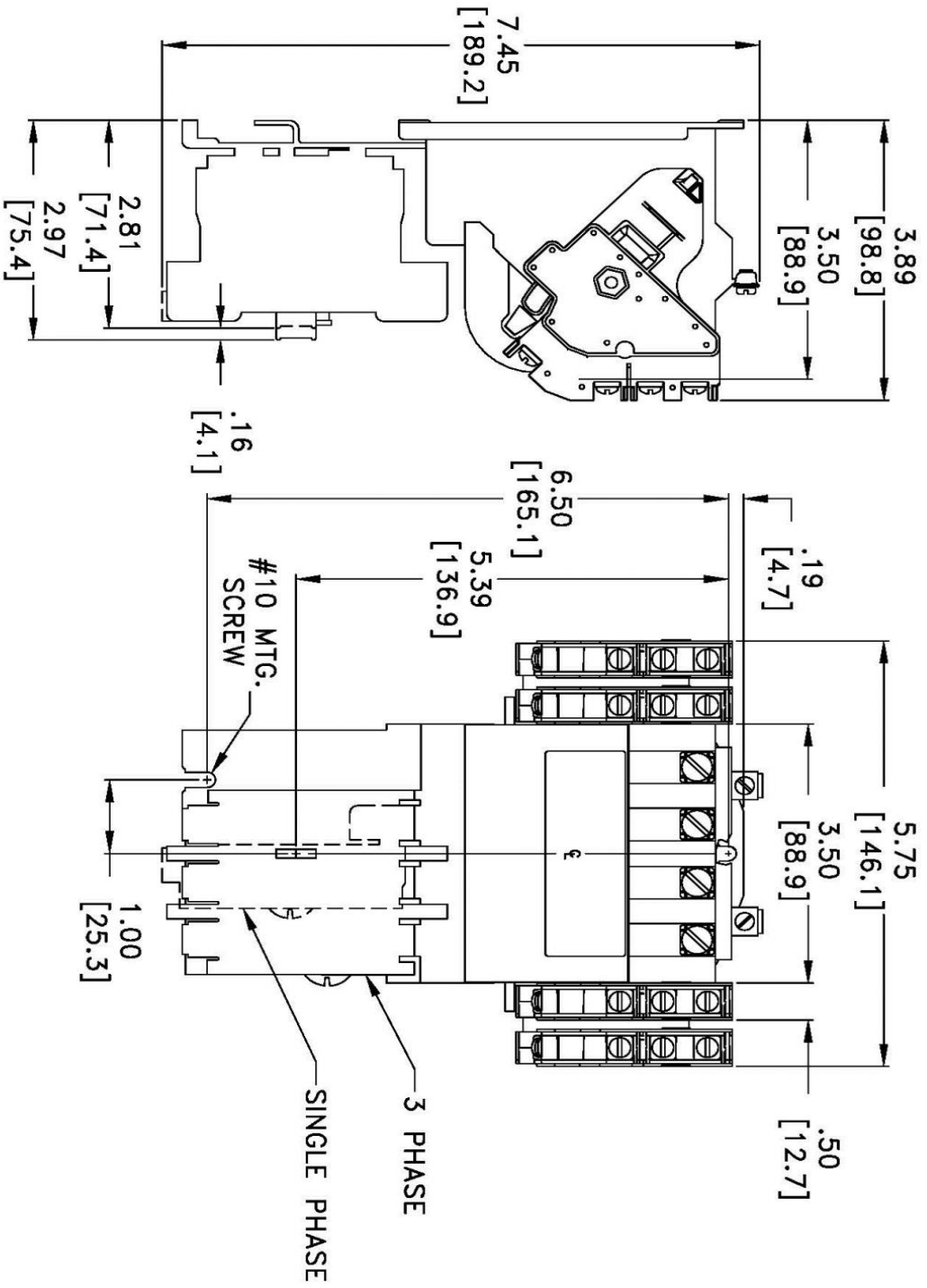


Image is representative and may not depict the actual product.

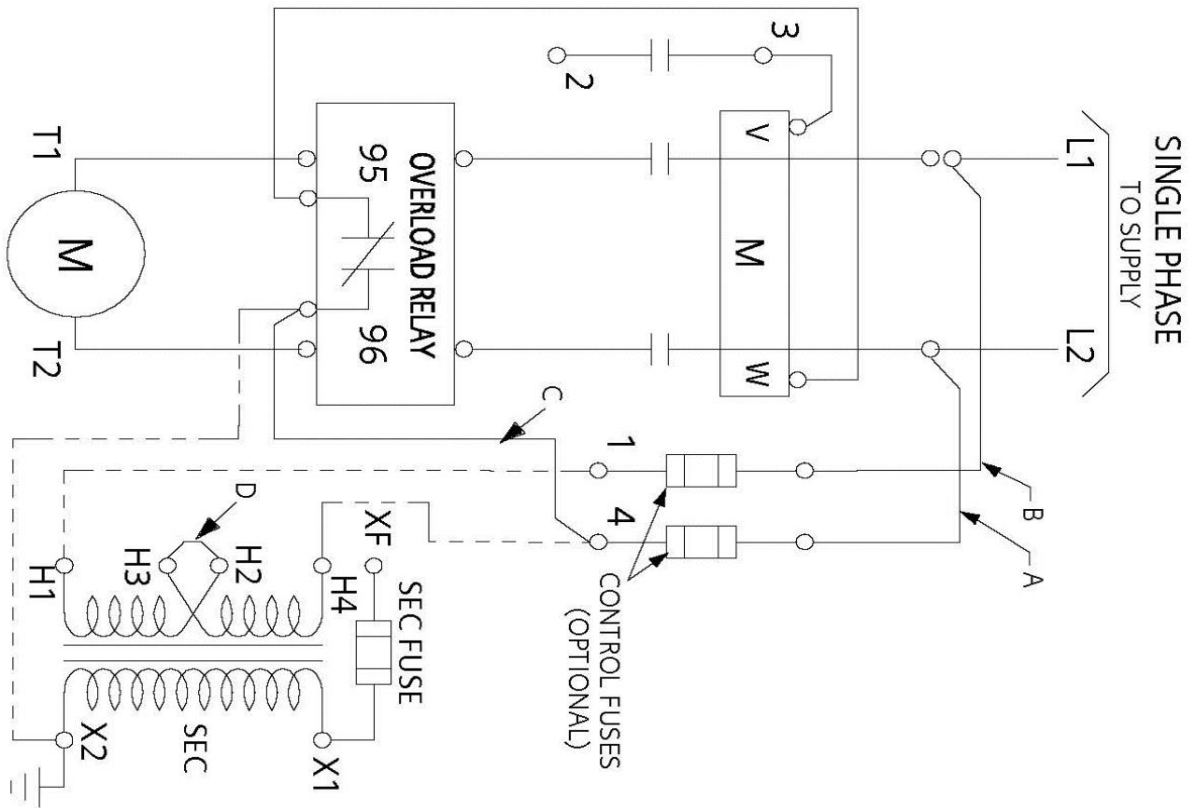
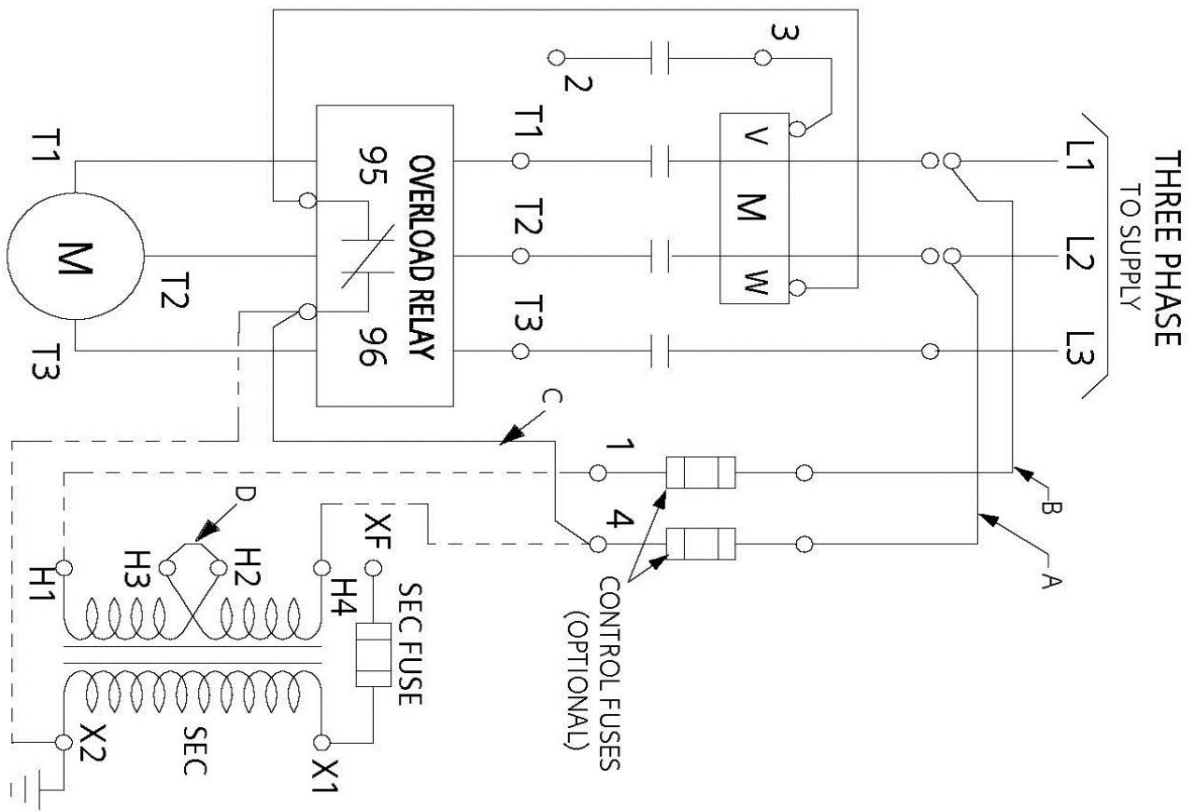
| General technical data: | |
|---|-------------------------------------|
| Weight | 3.5 lb |
| Height x Width x Depth | 7.45 x 5.75 x 3.89 in. |
| Finger-safe (main circuit / control circuit) | No / No |
| Maximum altitude | 6560 ft |
| Ambient storage temperature | (-30 to 65)°C / (-22 to 149)°F |
| Ambient operating temperature | (-20 to 40)°C / (-4 to 104)°F |
| Humidity (% non-condensing) | (no data) |
| Rated impulse voltage resistance | (no data) |
| Rated insulation voltage | (no data) |
| Country of origin | Mexico |
| Contactors: | |
| Number of NO main contacts | 2 |
| Amp rating | 35A |
| Mechanical operating cycles | 10,000,000 |
| Internal/standard auxiliary contact: | |
| Number of NC / NO auxiliary contacts | 0NC / 1NO |
| Rating | 10A@600VAC (A600), 5A@600VDC (P600) |
| Optional auxiliary contact: | |
| Max number of NC / NO auxiliary contacts | 8 total |
| Rating | 10A@600VAC (A600), 5A@600VDC (P600) |
| Coil: | |
| Voltage | 110VAC 50Hz / 120VAC 60Hz Coil |
| Sealed watts | 8.6W |
| Inrush / sealed power | 218 / 25 VA |
| Normal coil operating limits (% of rated voltage) | 85% - 110% |
| Typical drop-out volts (% of rated voltage) | 50% |
| Pick-up time / Drop-out time | 19-29 / 10-24 msec |
| Overload Relay: | |
| Repeat accuracy | (no data) |
| Trip adjustment | +/-15% |
| Reset options | Manual and automatic |
| External reset | No |
| Test function | Manual actuation |
| Number of NC / NO auxiliary contacts | 1NC / 0NO |
| Rating of auxiliary contacts | 5A@600VAC (B600), 5A@250VDC (P300) |
| Single contact isolation | (no data) |
| Dual contact isolation | (no data) |
| Enclosure: | |
| Type | Open device (no enclosure) |

| | |
|--|---|
| Rating | NA |
| Mounting/wiring: | |
| Mounting orientation | Vertical |
| Mounting type | Surface |
| Line side connection type / torque | Screw / 45 lb-in. |
| Line side solid & stranded conductors | 1x(14 - 2 AWG) 75°C AL or CU |
| Load side connection type / torque | Screw / 35 lb in. |
| Load side solid & stranded conductors | (no data) |
| Coil connection type / torque | Screw / 5 lb in. - 12 lb in. |
| Coil solid & stranded conductors | 2 x (16 - 12 AWG) CU 60/75°C |
| Main auxiliary contact connection type / torque | (no data) |
| Main auxiliary contact solid & stranded conductors | (no data) |
| OLR auxiliary contact connection type / torque | Screw / 5 lb in. - 12 lb in. |
| OLR auxiliary contact solid & stranded conductors | 2 x (16 - 12 AWG) CU 60/75°C |
| Short circuit current rating: | |
| Fuses | 10kA@600V (Class H or K); 100kA@600V (Class R or J) |
| Thermal Magnetic Circuit Breaker | 14kA@240V; 10kA@600V |
| Certificates/approvals: | |
| | UL (file no. E14900) |
| | cUL (file no. E14900 for Canada) |
| | CSA (file no. LR 6535) |
| | ISO 9001 certification |
| Additional information: | |
| | Brochure |

OUTLINE NEMA SIZE 00 - 1 3/4 CLASS 14 STARTER



DIMENSIONS ARE IN INCHES [MILLIMETERS]
 FILE NAME: D38235007



REF. D46590001