



# F-can (72C)

## F-CAN HID HPS BAL 150W S55 120/277V FCAN

The Philips Advance line of F-can HID ballasts comes in two dual-voltage configurations for the US and Canadian market. Ballasts for these luminaires are most often encased and potted in fluorescent ballast type cans.

### Product data

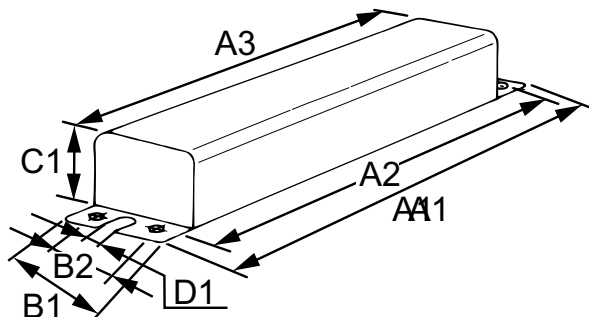
General Information		Nominal Open Circuit Voltage	
ANSI Code	S55		120 V
Lamp Type	150W HPS	Input Current (Operating) (Nom)	1.65/0.72 A A
Number of Lamps	1 piece/unit	Input Power (Nom)	185 W
Circuit Type	HX-HPF	Rated Lamp Watts	150W W
Ballast Type	Magnetic HID	<b>Wiring</b>	
Base Model	72C8185	Wire Striplength	0.5 mm
Suitable For Outdoor Use	Yes	Wire Length By Color	12"
Ignitor Catalog Number	Inside Can	Wire Type	Stranded
Capacitor Catalog Number	Inside Can	Remote Wiring Configuration Allowed	Yes
Automatic Restart	No	Max Ballast-Lamp Distance Remote Wiring	5'
<b>Operating and Electrical</b>		Recommended Fuse Value	8/4 A
Input Voltage	120/277 V	<b>Mechanical and Housing</b>	
Input Frequency	60 Hz	Housing Material	Metal
Power (Rated) (Nom)	150 W	Housing	F-Can
Inp. Current (Open Circuit)	2.25/1 A	Housing Dimensions	14.3 x 2.63 x 3.19
Input Current (Starting)	2.55/1.15 A	<b>Approval and Application</b>	
Input Current (Short Circuit)	2.5-3.7/1.1-1.6 A	Open Circuit Voltage Test (Volts)	110-130 V
Secondary Short Circuit Current	4.0-5.0 A	Temperature Marking	90°C max. case
Constant Wattage Deviation	Within Trapezoid	UL Recognized	No
Ballast Factor (Nom)	1	Hipot Test (1 Minute)	1600 V
Power Factor (Nom)	0.90		

## F-can (72C)

Hipot Test (2 Seconds)	2000 V
UL Insulation Class	A(105°C)
UL Temperature Code	NA
<b>Product Data</b>	
Order product name	F-CAN HID 72C8185NP
EAN/UPC - Product	781087281857

Order code	72C8185NP
Numerator - Quantity Per Pack	1
Numerator - Packs per outer box	4
Material Nr. (12NC)	913700599809
Net Weight (Piece)	5.353 kg

### Dimensional drawing



Product	A1	A2	A3	B1	B2	C1	D1
F-CAN HID 72C8185NP	12 in	13.75 in	13.13 in	3.9 in	2.0 in	2.6 in	0.3 in

HPS BAL 150W S55 120/277V FCAN

