



F-can (72C)

F-CAN HID MH BAL 150W M102/142 120/277V FCAN

The Philips Advance line of F-can HID ballasts comes in two dual-voltage configurations for the US and Canadian market. Ballasts for these luminaires are most often encased and potted in fluorescent ballast type cans.

Product data

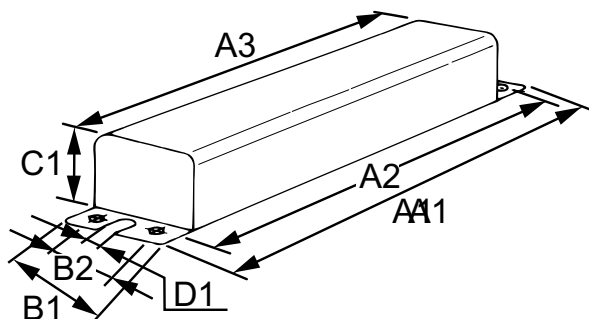
General Information		Nominal Open Circuit Voltage	
ANSI Code	M102-M142(PULSESTART)	Nominal Open Circuit Voltage	277 V
Lamp Type	150W MH	Input Current (Operating) (Nom)	1.6/0.7 A A
Number of Lamps	1 piece/unit	Input Power (Nom)	180 W
Circuit Type	HX-HPF	Rated Lamp Watts	150W W
Ballast Type	Magnetic HID	Wiring	
Base Model	72C5482	Wire Striplength	0.5 mm
Suitable For Outdoor Use	Yes	Wire Length By Color	12"
Ignitor Catalog Number	Inside Can	Wire Type	Stranded
Capacitor Catalog Number	Inside Can	Remote Wiring Configuration Allowed	Yes
Automatic Restart	No	Max Ballast-Lamp Distance Remote Wiring	5'
		Recommended Fuse Value	10/4 A
Operating and Electrical		Mechanical and Housing	
Input Voltage	120/277 V	Housing Material	Metal
Input Frequency	60 Hz	Housing	F-Can
Power (Rated) (Nom)	150 W	Housing Dimensions	14.3 x 2.63 x 3.19
Inp. Current (Open Circuit)	3.65/1.55 A	Approval and Application	
Input Current (Starting)	1.5/0.75 A	Open Circuit Voltage Test (Volts)	250-300 V
Input Current (Short Circuit)	1.45-2.15/0.6-0.95 A	Temperature Marking	90°C max. case
Secondary Short Circuit Current	2.0-2.5 A	UL Recognized	No
Constant Wattage Deviation	12%	Hipot Test (1 Minute)	1600 V
Ballast Factor (Nom)	1		
Power Factor (Nom)	0.90		

F-can (72C)

Hipot Test (2 Seconds)	2000 V
UL Insulation Class	A(105°C)
UL Temperature Code	NA
Product Data	
Order product name	F-CAN HID 72C5482NP
EAN/UPC - Product	781087007747

Order code	72C5482NP
Numerator - Quantity Per Pack	1
Numerator - Packs per outer box	2
Material Nr. (12NC)	913700580109
Net Weight (Piece)	5.639 kg

Dimensional drawing



Product	A1	A2	A3	B1	B2	C1	D1
F-CAN HID 72C5482NP	12 in	13.75 in	13.13 in	3.9 in	2.0 in	2.6 in	0.3 in

MH BAL 150W M102/142 120/277 FCAN

