



Optanium T8 Programmed Start

OPTANIUM ELE BALLAST (4) F32T8 120-277V

Philips Advance Optanium high-efficiency electronic ballasts are engineered to optimize lighting performance and maximize energy savings. These ballasts provide an unparalleled package of features and benefits to support the wide variety of T8 fluorescent lamps out in the market place.

Product data

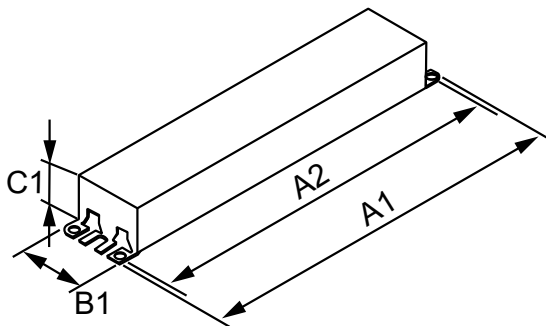
General Information		Input Current (Operating) (Min)	
Lamp Type	F32T8		0.33 A
Number of Lamps	3/4 piece/unit	Input Power (Nom)	94-93 W
Ballast Type	Electronic Fluorescent	Rated Lamp Watts	32W W
Base Model	IOP4PSP32LWSC	Wiring	
Suitable For Outdoor Use	Yes	Color Input Terminals	No terminals
Automatic Restart	Yes	Color Output Terminals	No terminals
Operating and Electrical		Wire Striplength	0.50/0.375 mm
Input Voltage	120 to 277 V	Lamp Connection	Parallel
Input Frequency	50 to 60 Hz	Wire Length By Color	See data sheet
Max THD	10 %	Wire Gauge (Nom)	18AWG mm
Power (Rated) (Nom)	32 W	Wire Type	Solid
Starting Method	Programmed Start	Remote Wiring Configuration Allowed	Yes
Lamp Current Crest Factor (Nom)	1.6	Tandem Wiring Configuration Allowed	Yes
Ignition Time (Nom)	1.5 s	Through Wiring Configuration Allowed	Yes
Ballast Factor (Nom)	0.71	Max Ballast-Lamp Distance Remote Wiring	20'
Power Factor (Nom)	0.98	Max Ballast-Lamp Distance Tandem Wiring	Any = 20'
Input Current (Operating) (Max)	0.78 A	Max Ballast-Lamp Distance Through Wiring	Any = 20'

Optanium T8 Programmed Start

Connector Type	No connector
Temperature	
T-Case Maximum (Nom)	70 °C
Mechanical and Housing	
Housing Material	Metal
Housing	SC
Housing Dimensions	9.5" x 1.7" x 1.18"
Approval and Application	
EMC Immunity Standard	FCC Non-Consumer
Approbation Marks	CSA certificate UL certificate CEC Listing CEE Rated NEMA Premium RoHS Compliant

Sound Rating	A
UL Recognized	No
Product Data	
Order product name	OPTANIUM IOP4PSP32LWSC35I
EAN/UPC - Product	781087081655
Order code	IOP4PSP32LWSC35I
Numerator - Quantity Per Pack	1
Numerator - Packs per outer box	10
Material Nr. (12NC)	913710894501
Net Weight (Piece)	0.613 kg

Dimensional drawing



ELE BALLAST (4) F32T8 120-277V

Product	A1	A2	B1	C1
OPTANIUM IOP4PSP32LWSC35I	9.5 in	8.90 in	1.7 in	1.18 in

