



Optanium T5HO

OPTANIUM HOP2PSP54L35M

Our new addition to our high-performance, high efficiency Optanium ballasts family, these new programmed start parallel ballasts for T5HO lamps are now available as parallel-wired which provides independent lamp operation within the fixture. When one lamp reaches its end-of-life (EOL) the remaining lamps stay illuminated, which means you change out only the lamps that need to be replaced.

Product data

General Information	
Lamp Type	F54T5/HO
Number Of Lamps	1/2 piece/unit
Ballast Type	Electronic Fluorescent
Base Model	HOP2PSP54L
Suitable For Outdoor Use	Yes
Automatic Restart	Yes
Operating and Electrical	
Input Voltage	347-480 V
Input Frequency	50 to 60 Hz
Total Harmonic Distortion USA	10 %
Power (Rated) (Nom)	54 W
Ignition Method	Programmed Start
Crestfactor (Nom)	1.6
Ignition Time (Nom)	1.5 s
Ballast Factor (Nom)	1
Power Factor (Nom)	0.98
Input Current (Max)	0.35 A
Input Current (Min)	0.23 A
Input Power (Nom)	116-113 W

Rated Lamp Power	54W W
Wiring	
Color Input Terminals	No terminals
Color Output Terminals	No terminals
Wire Striplength	0.50/0.375 mm
Lamp Connection	Parallel
Wire Length By Color	See data sheet
Wire Gauge (Nom)	18AWG mm
Wire Type	Solid
Remote Wiring Configuration Allowed	Yes
Tandem Wiring Configuration Allowed	Yes
Through Wiring Configuration Allowed	Yes
Max Ballast-Lamp Distance Remote Wiring	20'
Max Ballast-Lamp Distance Tandem Wiring	Any = 20'
Max Ballast-Lamp Distance Through Wiring	Any = 20'
Connector Type	No connector
Temperature	
T-Case Maximum (Nom)	70 °C

Optanium T5HO

Mechanical and Housing

Housing Material	Metal
Housing	L
Housing Dimensions	16.7" x 1.18" x 1.0"

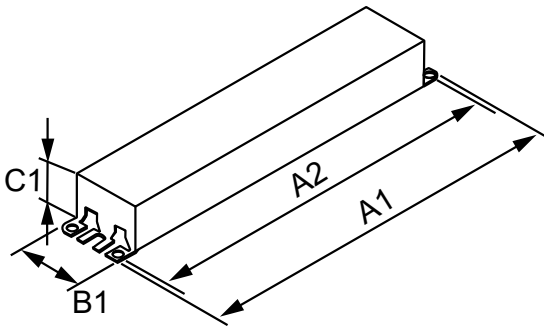
Approval and Application

EMC Immunity Standard	FCC Non-Consumer
Approval Marks	CSA certificate UL certificate CEC Listing RoHS Compliant
Hum And Noise Level	A
UL Recognized	No

Product Data

Order product name	OPTANIUM HOP2PSP54L35M
EAN/UPC - Product	781087092088
Order code	913701222002
Numerator - Quantity Per Pack	1
Numerator - Packs per outer box	10
Material Nr. (12NC)	913701222002
Net Weight (Piece)	676.000 g

Dimensional drawing



ELE BALLAST (2) F54T5/HO 347-480V

Product	A1	A2	B1	C1
OPTANIUM HOP2PSP54L35M	16.70 in	16.34 in	1.18 in	1.00 in

