



F-can (72C)

F-CAN HID 72C8084NP001

The Philips Advance line of F-can HID ballasts comes in two dual-voltage configurations for the US and Canadian market. Ballasts for these luminaires are most often encased and potted in fluorescent ballast type cans.

Product data

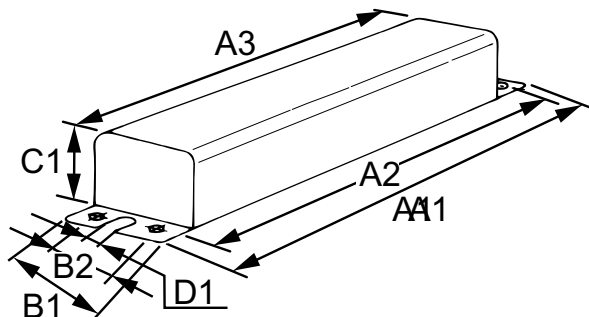
General Information		Input Current (Nom)	
ANSI Code	S54		1.1/0.5 A A
Lamp Type	100W HPS	Input Power (Nom)	125 W
Number Of Lamps	1 piece/unit	Rated Lamp Power	100 W
Circuit Type	HX-HPF	Wiring	
Ballast Type	Magnetic HID	Wire Striplength	0.5 mm
Base Model	72C8084	Wire Length By Color	12"
Suitable For Outdoor Use	Yes	Wire Type	Stranded
Ignitor Catalog Number	Inside Can	Remote Wiring Configuration Allowed	Yes
Capacitor Catalog Number	Inside Can	Max Ballast-Lamp Distance Remote Wiring	15'
Automatic Restart	No	Recommended Fuse Value	6/3 A
Operating and Electrical		Mechanical and Housing	
Input Voltage	120/277 V	Housing Material	Metal
Input Frequency	60 Hz	Housing	F-Can
Input Current (Open Circuit)	1.85/0.8 A	Housing Dimensions	11.75 x 2.63 x 3.19
Input Current (Starting)	1.5/0.65 A	Approval and Application	
Input Current (Short Circuit)	1.4-2.1/0.6-0.9 A	Open Circuit Voltage Test (Volts)	110-130 V
Secondary Short Circuit Current	2.7-3.35 A	Approval Marks	CSA certificate UL certificate RoHS Compliant
Constant Wattage Deviation	Within Trapezoid	Temperature Marking	90°C max. case
Ballast Factor (Nom)	1	UL Recognized	No
Power Factor (Nom)	0.90	Hipot Test (1 Minute)	1600 V
Open Circuit Voltage	120 V		

F-can (72C)

Hipot Test (2 Seconds)	2000 V
UL Insulation Class	A(105°C)
UL Temperature Code	NA
Product Data	
Order product name	F-CAN HID 72C8084NP001
EAN/UPC - Product	781087025123

Order code	913710410201
Numerator - Quantity Per Pack	1
Numerator - Packs per outer box	1
Material Nr. (12NC)	913710410201
Net Weight (Piece)	3.997 kg

Dimensional drawing



Product	A1	A2	A3	B1	B2	C1	D1
F-CAN HID 72C8084NP001	12 in	11.13 in	10.5 in	3.9 in	2.0 in	2.6 in	0.3 in

HPS BAL 100W S54 120/277V FCAN

