



Optanium T8 Programmed Start

OPTANIUM IOP2PSP32N35M

Philips Advance Optanium high-efficiency electronic ballasts are engineered to optimize lighting performance and maximize energy savings. These ballasts provide an unparalleled package of features and benefits to support the wide variety of T8 fluorescent lamps.

Product data

General Information		Rated Lamp Power	
Lamp Type	F32T8	Rated Lamp Power	32 W
Number of Lamps	1/2 piece/unit	Wiring	
Ballast Type	Electronic Fluorescent	Color Input Terminals	No terminals
Base Model	IOP2PSP32N	Color Output Terminals	No terminals
Suitable For Outdoor Use	Yes	Wire Striplength	0.50/0.375 mm
Automatic Restart	Yes	Lamp Connection	Parallel
Operating and Electrical		Wire Length by Color	See data sheet
Input Voltage	120 to 277 V	Wire Gauge (Nom)	18AWG mm
Input Frequency	50 to 60 Hz	Wire Type	Solid
Total Harmonic Distortion USA	10 %	Remote Wiring Configuration Allowed	Yes
Ignition Method	Programmed Start	Tandem Wiring Configuration Allowed	Yes
Crestfactor (Nom)	1.6	Through Wiring Configuration Allowed	Yes
Ignition Time (Nom)	1.5 s	Max Ballast-Lamp Distance Remote Wiring	ES = 6' / Standard = 20'
Ballast Factor (Nom)	0.89	Max Ballast-Lamp Distance Tandem Wiring	ES = 6' / Standard = 20'
Power Factor (Nom)	0.98	Max Ballast-Lamp Distance Through Wiring	ES = 6' / Standard = 20'
Input Current (Max)	0.20 A	Connector Type	No connector
Input Current (Min)	0.47 A	Temperature	
Input Power (Nom)	56-55 W	T-Case Maximum (Nom)	70 °C

Optanium T8 Programmed Start

Mechanical and Housing

Housing Material	Metal
Housing	N
Housing Dimensions	9.5" x 1.3" x 1.0"

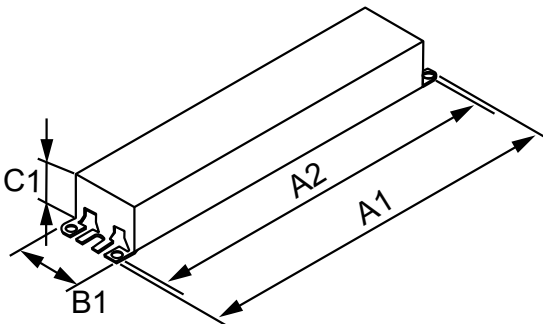
Approval and Application

EMC Immunity Standard	FCC Non-Consumer
Approval Marks	CSA certificate UL certificate CEC Listing CEE Rated NEMA Premium RoHS Compliant
Hum And Noise Level	A
UL Recognized	No

Product Data

Order product name	OPTANIUM IOP2PSP32N35M
EAN/UPC - Product	781087134740
Order code	913701260602
Numerator - Quantity Per Pack	1
Numerator - Packs per outer box	30
Material Nr. (12NC)	913701260602
Net Weight (Piece)	350.000 g

Dimensional drawing



ELE BALLAST (2) F32T8 120-277V

Product	A1	A2	B1	C1
OPTANIUM IOP2PSP32N35M	9.50 in	8.90 in	1.30 in	1.00 in

