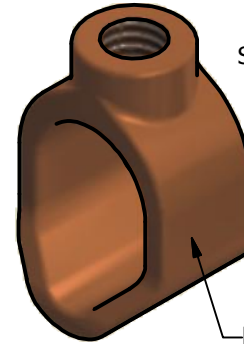
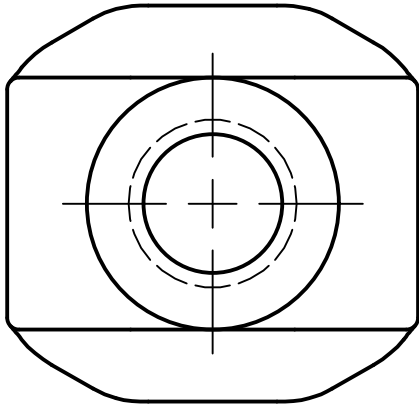


| | | | | |
|---------------------------|-------------------|-----------------|---------------------------------------|----------------------------|
| SCREW: NONE | MATERIAL: BRONZE | REV: J | ILSCO connections matter | |
| CAT. NO.: BGRC-68 | PLATING: NONE | DRAWN BY: CLH | SCALE: 2:1 | 800-776-9775 www.ilsco.com |
| INFORMATION SHEET: FORM 1 | MARKING: SEE NOTE | DATE: 6/20/2008 | SIZE: A | DWG. NO. R0728 |
| | | | | SHEET: 1 OF 1 |



SCALE 1 : 1

MARK 3/4, R-3, DIRECT BURIAL ONE SIDE
MARK S, \odot , \otimes , 1/0-8 OTHER SIDE

ALTERNATE MARKING:
ONE SIDE: W, \odot , 1/0-8
OTHER SIDE: WB, 3/4, "DIRECT BURIAL"
ON HEAD OF SCREW

