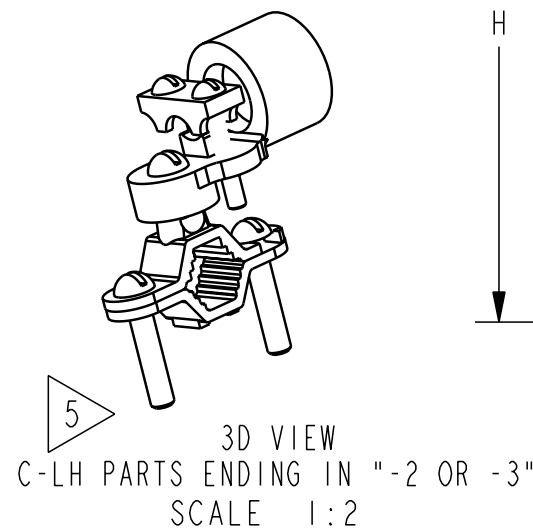
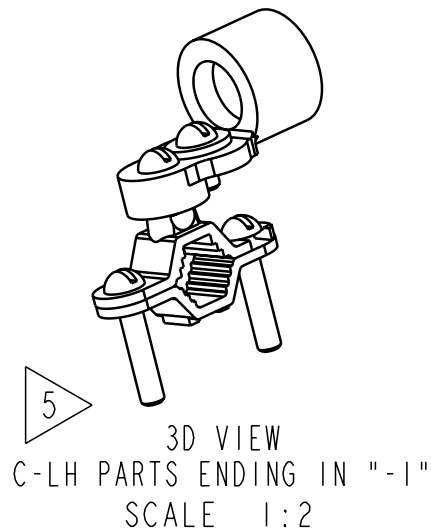
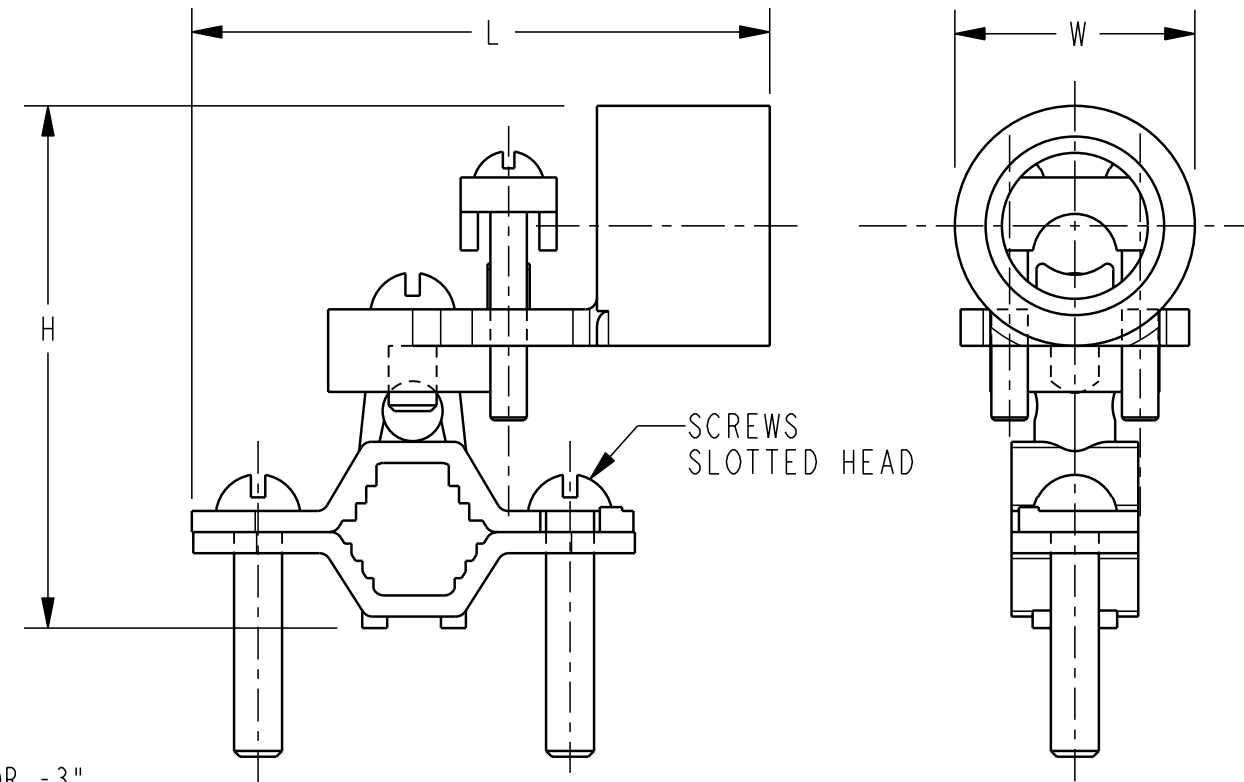


BURNDY CATALOG NO.	ACCOMMODATES CONDUCTOR RANGE			REFERENCE DIMENSIONS				RECOMMENDED SCREW TORQUE " INCH POUNDS "	
	WATER PIPE	GROUND	HUB SIZE	H	L	W	C	PIPE CLAMP	WIRE CLAMP
C-11LH-1	1/2-1 [13-25]	10 STR - 6 SOL	1/2 [13]	2.25 [57]	3.23 [83]	.69 [18]	.97 [25]	50 LB-IN	50 LB-IN
C-22LH-1	1 1/4-2 [32-51]			2.88 [73]	3.50 [89]		1.34 [34]		
C-4LH-1	2 1/2-4 [64-102]			4.56 [116]	4.82 [122]		2.44 [62]		
C-11LH-2	1/2-1 [13-25]	2/0-10 STR	3/4 [19]	2.56 [65]	2.86 [73]	1.00 [25]	1.13 [29]		
C-22LH-2	1 1/4-2 [32-51]			3.19 [81]	3.50 [89]		1.50 [38]		
C-4LH-2	2 1/2-4 [64-102]			4.88 [124]	4.82 [122]		2.38 [60]		
C-11LH-3	1/2-1 [13-25]	3/0-10 STR	1 [25]	2.69 [68]	2.86 [73]	1.13 [29]	1.19 [30]		
C-22LH-3	1 1/4-2 [32-51]			3.32 [59]	3.50 [89]		1.56 [40]		
C-4LH-3	2 1/2-4 [64-102]			5.01 [127]	4.82 [122]		2.44 [62]		

REV.	DATE	DESCRIPTION	ECO	BY	C'H'K.
A	12/10/2008 11:31:00 AM	ADD NOTE 6 TO DRAWING PER M/U.	17166	RLB	JP



NOTES:

- MATERIAL:
BODY: SOLID CAST BRONZE.
HARDWARE: STEEL, ZINC PLATED.
- CONNECTORS ARE UL LISTED TO STANDARD UL467, GROUNDING AND BONDING EQUIPMENT. FOR INDICATED CONDUCTOR RANGE.
- CONNECTORS ARE CSA CERTIFIED TO STANDARD C22.2, NO. 41, GROUNDING AND BONDING EQUIPMENT FOR INDICATED CONDUCTOR RANGE.
- DIMENSIONS IN BRACKETS [] ARE IN MILLIMETERS ROUNDED TO THE NEAREST WHOLE NUMBER. UNLESS OTHERWISE NOTED, AND ARE FOR REFERENCE ONLY.
- C-LH PARTS ENDING IN "-1" HAVE ONE SCREW AND WASHER AS SHOWN.
C-LH PARTS ENDING IN "-2 OR -3" HAVE TWO SCREWS AS SHOWN.
- TO ACCOMMODATE THE SMALLER WATER PIPE SIZES, SOME CONNECTORS REQUIRE THE INSTALLER TO REVERSE THE BOTTOM SADDLE PORTION OF THE PIPE CLAMPING ELEMENT.

TO ORDER BURNDY® PRODUCTS CALL		GRD. CLAMPS, RIGID CONDUIT W/360° SWING HUB-WATER PIPE															
UNITED STATES: 1-800-346-4175 (LONDONDERRY, NH)		ITEM NO: 25004355															
CANADA: 1-800-361-6975 (QUEBEC) 1-800-387-6487 (ALL OTHER PROVINCES)		CAT. NO: SEE TABLE															
FOR PRODUCT INFO: http://www.fciconnect.com		<table border="1"> <tr> <td>DRAWN BY: D. DOBRINSKI</td> <td>01/16/97</td> <td rowspan="6"> </td> <td rowspan="6">SCALE: 1:1</td> </tr> <tr> <td>CHECKER: D.D.</td> <td>04/17/97</td> </tr> <tr> <td>DSN APPVL: K. MELLO</td> <td>04/23/97</td> </tr> <tr> <td>MFG APPVL: --</td> <td>--</td> </tr> <tr> <td>QA APPVL: D. VARIO</td> <td>04/23/97</td> </tr> <tr> <td>MKT APPVL: P. WERTHMAN</td> <td>04/23/97</td> </tr> </table>		DRAWN BY: D. DOBRINSKI	01/16/97		SCALE: 1:1	CHECKER: D.D.	04/17/97	DSN APPVL: K. MELLO	04/23/97	MFG APPVL: --	--	QA APPVL: D. VARIO	04/23/97	MKT APPVL: P. WERTHMAN	04/23/97
DRAWN BY: D. DOBRINSKI	01/16/97		SCALE: 1:1														
CHECKER: D.D.	04/17/97																
DSN APPVL: K. MELLO	04/23/97																
MFG APPVL: --	--																
QA APPVL: D. VARIO	04/23/97																
MKT APPVL: P. WERTHMAN	04/23/97																
		DRAWING NO															
		PROJECT #:															
		DOCUMENT TYPE:															
		REL LEVEL: Released															
		SIZE															
		DRAWING NO															
		REVISION															
		SC210670-01															
		SHEET 1 OF 1															
		A															

REV: PE0200