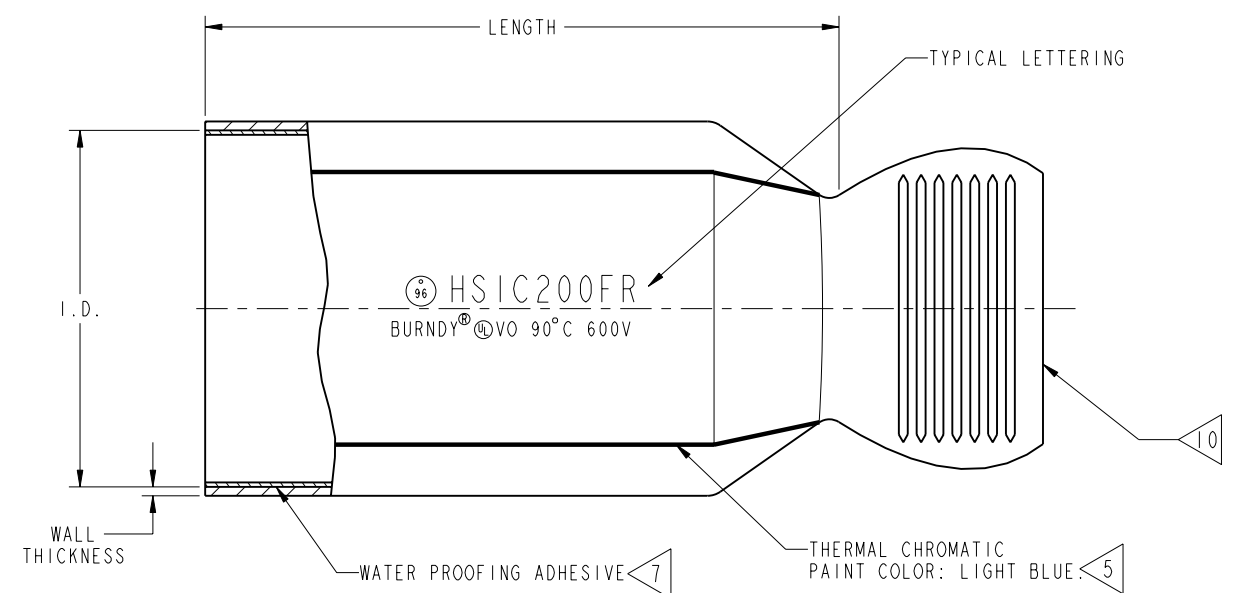


DRAWING NO.
SC209680-01

CATALOG NUMBER	ACCOMMODATES 600V CABLE		LENGTH ±20%	INTERNAL DIAMETER		WALL THICKNESS ±20%	
	AWG	FLEXIBLE LOCOMOTIVE	EXPANDED	MIN. EXPANDED	MAX. RECOVERED	EXPANDED	RECOVERED
HSIC81FR	#8- #1	#8- #4	2.5	.500	.16	.034	.080
HSIC440FR	#4- 4/0	#4- 2/0	2.5	.750	.24	.030	.080
HSIC10500FR	1/0- 500 Kcmil	#1- 313 Kcmil	3.0	1.100	.35	.039	.120
HSIC301000FR	3/0- 1000 Kcmil	2/0- 646 Kcmil	3.5	1.500	.47	.054	.160
HSIC200FR	300- 1750 Kcmil	250- 1111 Kcmil	3.5	2.000	.63	.050	.160
HSIC269FR	600- 2500 Kcmil	---	4.0	2.685	.87	.050	.160
HSIC350FR	1250 Kcmil MIN.	---	4.5	3.500	1.18	.051	.160
HSICKIT	---	---	---	---	---	---	---

REV	DATE	DESCRIPTION	ECO	BY	C'H'K.
B	09/15/2011 00:00:00 AM	REDRAW IN PROE	25539	DD	MB



- NOTES:
- NOMENCLATURE DEFINITION AS FOLLOWS: HSIC---FR.
HSIC = HEAT SHRINK INSULATION CAP
--- = CAP SIZE
FR = FIRE RETARDANT
 - CAPS CONSTRUCTED FROM A UL RECOGNIZED FLAME RETARDANT MATERIAL.
 - RECOVERED DIMENSIONS ARE DETERMINED BASED ON AN UNRESTRICTED RECOVERY.
 - THE NOMINAL THICKNESS REFERS TO FULLY RECOVERED TUBING. THE WALL THICKNESS WILL BE LESS THAN THIS VALUE IF SHRINKAGE IS RESTRICTED.
 - THERMAL CHROMATIC PAINT IS AN INSPECTABLE INDICATION OF PROPER APPLICATION OF HEAT. THIS PAINT WILL TURN TRANSLUCENT (FROM BLUE TO BLACK) ABOVE 150°C. INDICATING PROPER INSTALLATION FOR INSPECTION AND QUALITY ASSURANCE.
 - PRODUCT IS SUITABLE FOR USE IN 600 VOLT APPLICATIONS UP TO 90°C AND MAY BE USED AS A CAP FOR CONDUCTORS WITHIN THE EXPANDED - RECOVERED DIAMETER RANGE INCLUDING JACKETED TWISTED PAIR CONDUCTORS.
 - MEETS THE SEALING REQUIREMENTS OF ANSI C-119.1 UL 486D AND WESTERN UNDERGROUND GUIDE NUMBER 2.4 & 2.5 FOR SEALED UNDERGROUND CONDUCTORS.
 - NOT A UL LISTED PRODUCT. MATERIAL IS RECOGNIZED AS 94-V0.
 - HSIC-KIT TO INCLUDE (4 CAPS TOTAL) 1 EACH: HSIC8-1FR, HSIC4-40FR, HSIC30-1000FR, HSIC200FR AND FORM210066 IN A POLYBAG.
 - GRIP DOES NOT SHRINK AFTER INSTALLATION.

TO ORDER BURNDY® PRODUCTS CALL		HEAVY WALL HEAT SHRINKABLE END CAP	
UNITED STATES 1-800-346-4175 (LONDONDERRY, NH)		ITEM NO: --	CAT. NO: HSIC--FR
CANADA: 1-800-361-6975 (QUEBEC) 1-800-387-6487 (ALL OTHER PROVINCES)		DRAWN BY: N PRESSMAN 04/05/95	CHECKER: K HENRY 04/05/07
FOR PRODUCT INFO: http://www.burndy.com		DSN APPVL: J MURRAY 05/31/07	MFG APPVL: --
		QA APPVL: D VARIO 05/31/95	MKT APPVL: G.S. 04/05/95
		SCALE: NTS	
		DRAWING NO	REV
		SC209680-01	B
		SHEET 1 OF 1	

REV: PE0200