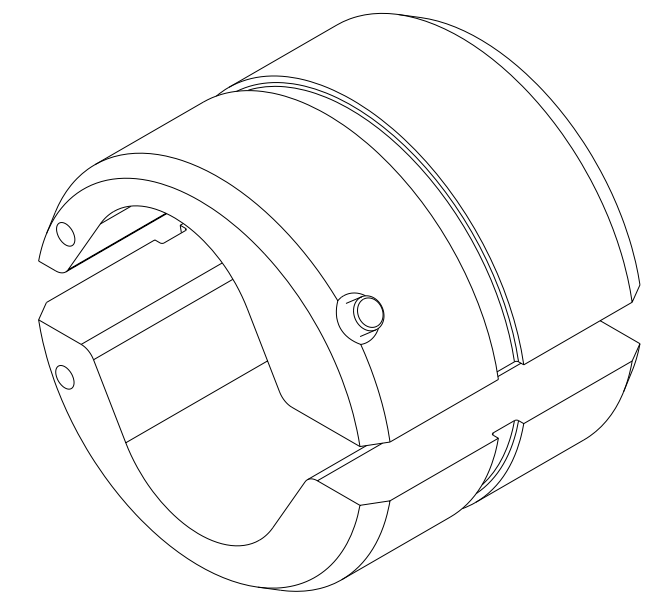
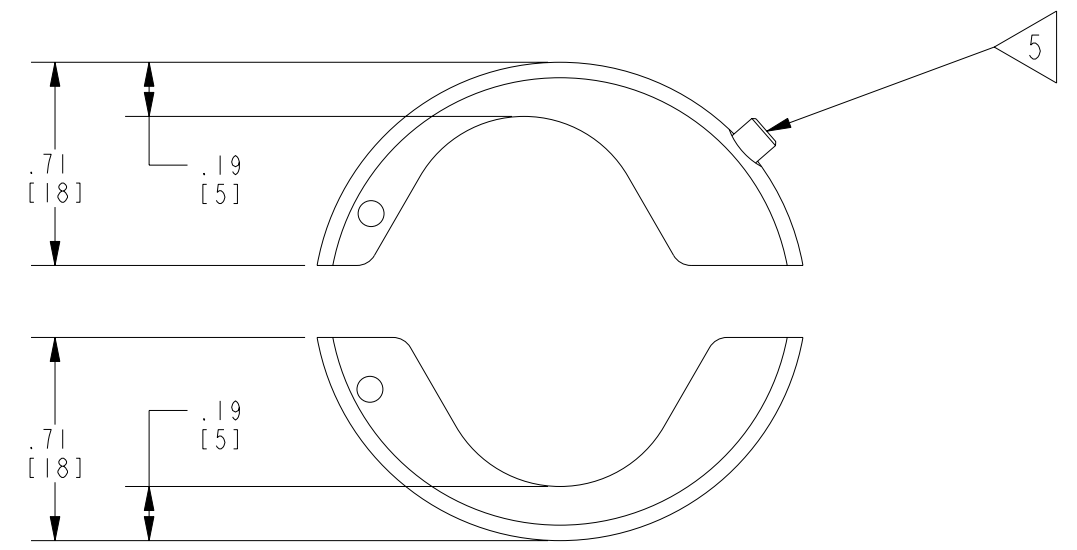
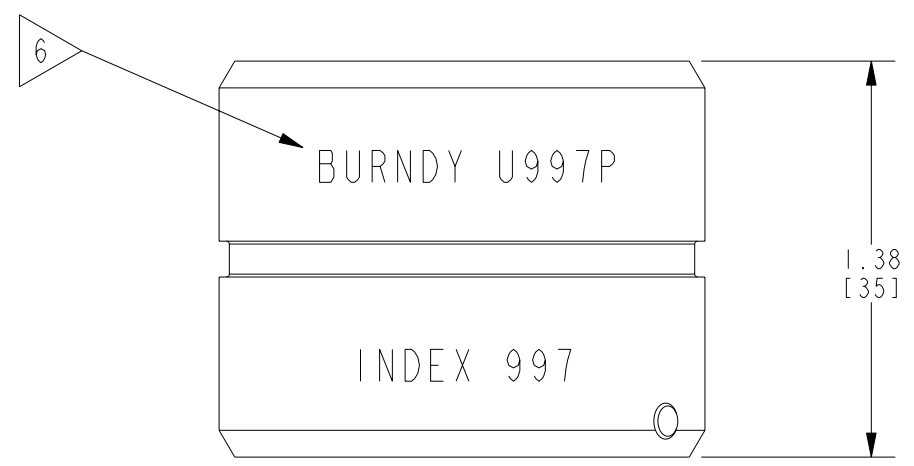


| REV. | DATE | DESCRIPTION | ECO | BY | C'H'K. |
|------|------------------------|---|-------|----|--------|
| A | 01/11/2012 00:00:00 AM | U997P: CREATE SALES DRAWING AND LINK IN AGILE | 26497 | TM | JG |



NOTES:

1. MATERIAL: STAINLESS STEEL.
2. DIMENSIONS IN BRACKETS [] ARE IN MILLIMETERS, ROUNDED TO THE NEAREST MILLIMETER AND ARE FOR REFERENCE ONLY.
3. DIE SET U997P INCLUDES BOTH HALVES OF DIE, AS SHOWN.
4. DIE INSPECTION GAGE CATALOG NUMBER: CONSULT FACTORY
5. ALIGNMENT PIN ENSURES CORRECT ORIENTATION OF DIE.
6. LETTERING IS IDENTICAL ON BOTH DIE HALVES.

REV: PE0200

| | | | |
|---|--|------------------------------------|--|
| TO ORDER BURNDY® PRODUCTS CALL | | NON-BUTTING POLARIZED DIE WITH PIN | |
| UNITED STATES: | | ITEM NO: 10013173 | |
| 1-800-346-4175 (LONDONDERRY, NH) | | CAT. NO: U997P | |
| CANADA: | | DRAWN BY: M.TAMARA/KANI 01/11/12 | |
| 1-800-361-6975 (QUEBEC) | | CHECKER: P.WASON 01/12/12 | |
| 1-800-387-6487 (ALL OTHER PROVINCES) | | DSN APPVL: P.WASON 01/12/12 | |
| FOR PRODUCT INFO: http://www.burndy.com | | MFG APPVL: -- | |
| | | QA APPVL: J.BRODEUR 01/13/12 | |
| | | MKT APPVL: R.POIRIER 01/16/12 | |
| | | PROD FAM: Tools_Hydraulic/u_die | |
| | | PROJECT #: -- | |
| | | SIZE: B | |
| | | DOCUMENT TYPE: Sales | |
| | | REL LEVEL: Released | |
| | | SCALE: 1:1 | |
| | | DRAWING NO: 30022698 | |
| | | REV: A | |
| | | SHEET 1 OF 1 | |

