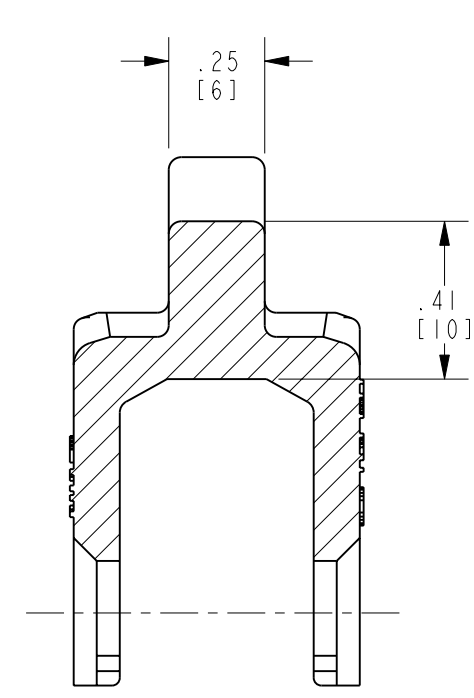
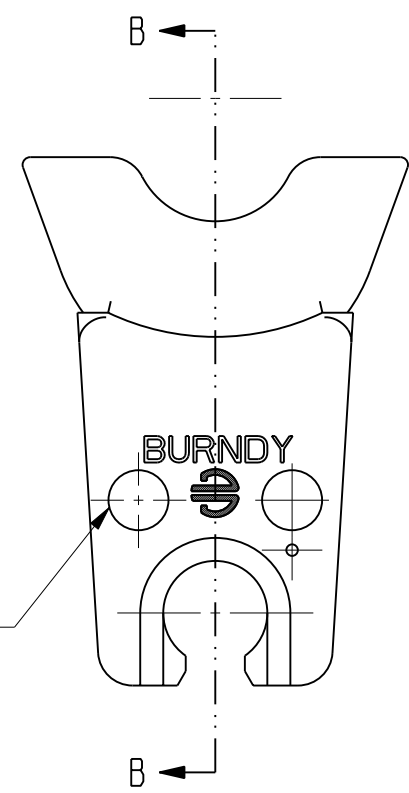
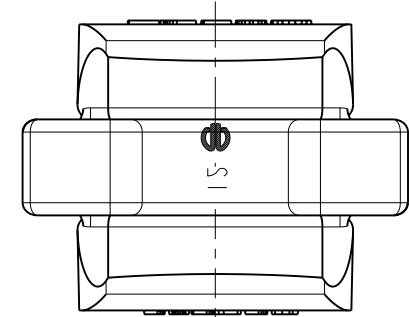
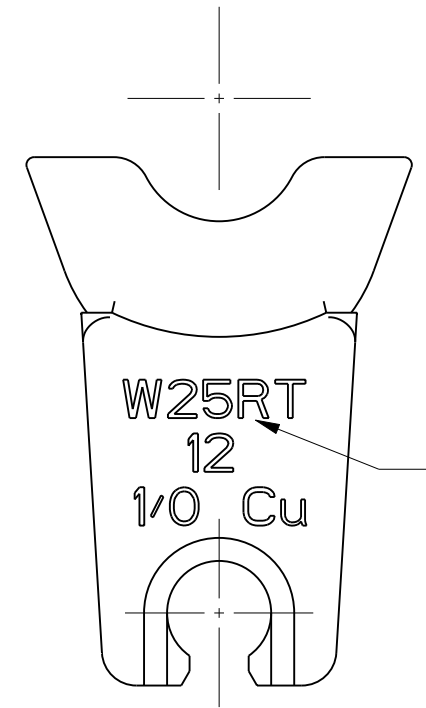


| REV. | DATE | DESCRIPTION | ECO | BY | C'H'K. |
|------|------------------------|-----------------------|-------|----|--------|
| C | 04/16/2015 16:40:00 PM | UPDATED AS PER MARKUP | 38805 | MG | RM |



SECTION B-B



NOTES:

1. MATERIAL: STAINLESS STEEL.
2. DIE SET CATALOG NUMBER W25RT TO CONTAIN TWO (2) DIE HALVES.
3. DIMENSIONS IN BRACKETS [] ARE IN MILLIMETERS ROUNDED OFF TO THE NEAREST MILLIMETER, UNLESS OTHERWISE SPECIFIED, AND ARE FOR REFERENCE ONLY.
4. DIE GAGE CAT NO. WPG12

TO ORDER BURNDY® PRODUCTS CALL
 UNITED STATES:
 1-800-346-4175 (LONDONDERRY, NH)
 CANADA:
 1-800-361-6975 (QUEBEC)
 1-800-387-6487 (ALL OTHER PROVINCES)
 FOR PRODUCT INFO: <http://www.burndy.com>

| W-DIES | | SCALE: 1:1 |
|------------------------------|----------|--------------|
| ITEM NO: 464157 | | DRAWING NO |
| CAT. NO: W25RT | | |
| DRAWN BY: I. ANBALAGAN | 12/03/10 | REV |
| CHECKER: P. WASON | 12/03/10 | |
| DSN APPVL: P. WASON | 12/02/10 | 30008701 |
| MFG APPVL: -- | -- | |
| QA APPVL: J. BRODEUR | 12/03/10 | C |
| MKT APPVL: R. POIRIER | 12/06/10 | |
| PROD FAM: TOOLS-MECH./W-DIES | SIZE | SHEET 1 OF 1 |
| PROJECT #: -- | B | |
| DOCUMENT TYPE: Sales | | |
| REL LEVEL: Released | | |

REV: PE0200