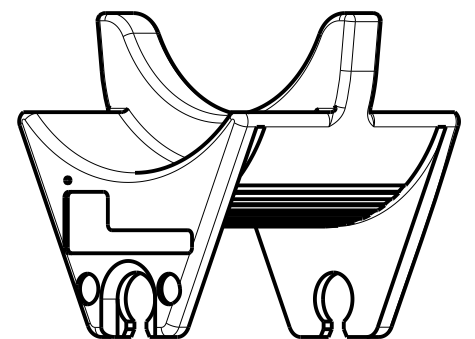
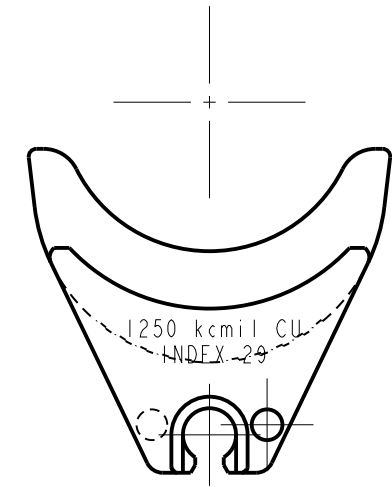
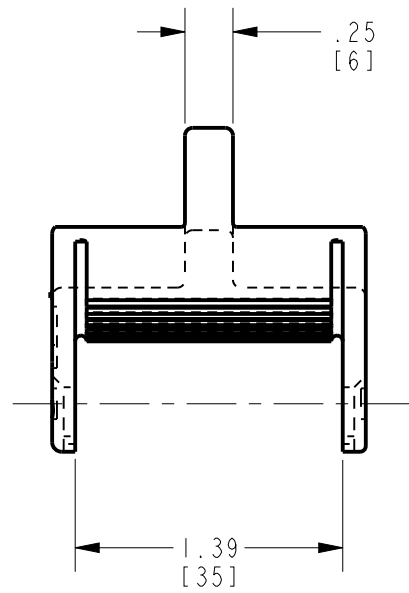
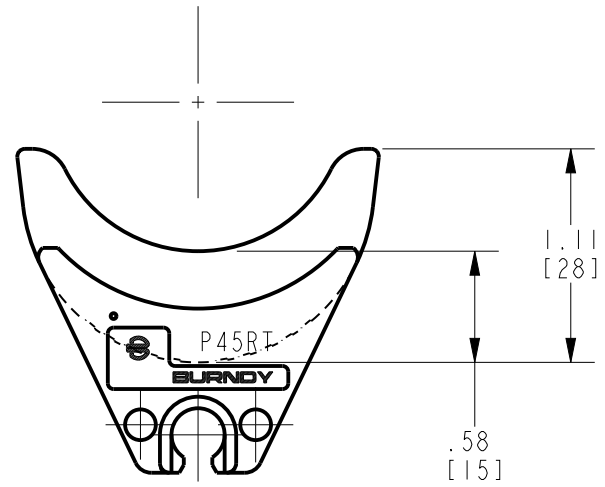
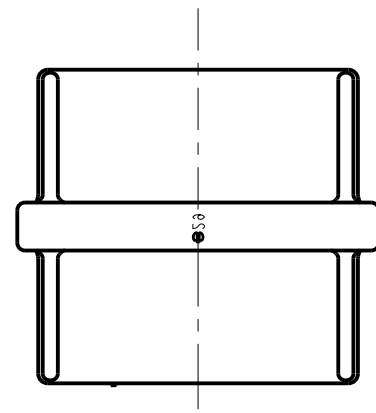


REV.	DATE	DESCRIPTION	ECO	BY	C'H'K.
B	04/29/2013 19:19:00 PM	DRAWING UPDATED AS PER MARKUP.	29078	GP	MB



NOTES:

1. DIMENSIONS IN BRACKETS [] ARE IN MILLIMETERS ROUNDED OFF TO THE NEAREST MILLIMETER, UNLESS OTHERWISE SPECIFIED, AND ARE FOR REFERENCE ONLY.
2. MATERIAL: STAINLESS STEEL.
3. USED IN Y46 HYPRESS™ TOOL.
4. GAGE CAT. NO. PPG29.

TO ORDER BURNDY® PRODUCTS CALL
 UNITED STATES:
 1-800-346-4175 (LONDONDERRY, NH)
 CANADA:
 1-800-361-6975 (QUEBEC)
 1-800-387-6487 (ALL OTHER PROVINCES)
 FOR PRODUCT INFO: <http://www.burndy.com>

CIRCULAR NON-BUTTING TWIN DIE		SCALE: 1:1
ITEM NO: N/A		
CAT. NO: P45RT		
DRAWN BY: I. ANBALAGAN	07/02/10	BURNDY
CHECKER: --	--	
DSN APPVL: --	--	
MFG APPVL: --	--	
QA APPVL: --	--	
MKT APPVL: --	--	
PROD FAM: TOOLS/HYDRAULIC/P-DIES	DRAWING NO	REV
PROJECT #: --	30004060	B
DOCUMENT TYPE: Sales	SIZE	SHEET 1 OF 1
REL LEVEL: Released	B	

REV: PE0200