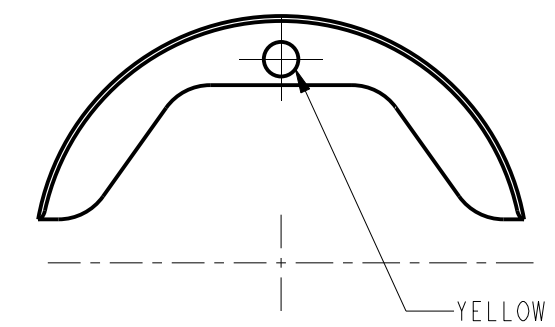
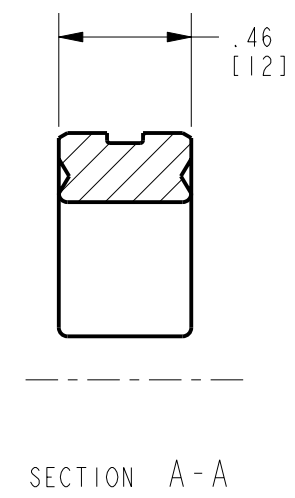
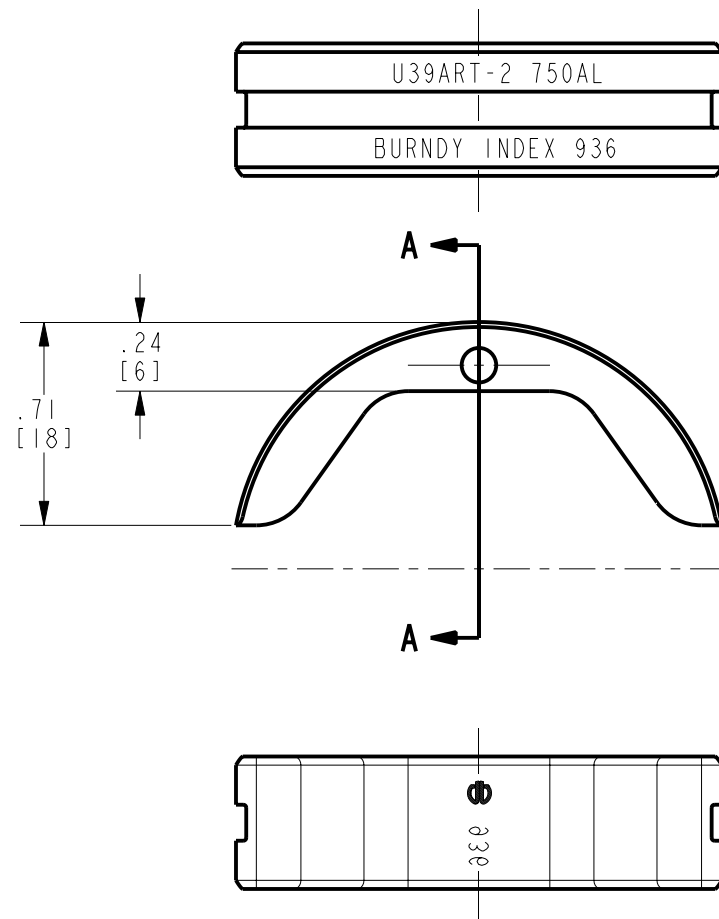


REV.	DATE	DESCRIPTION	ECO	BY	C'H'K.
A	7/6/2009 12:30:00 PM	NEW SALES DRAWING RELEASE	18427	1A	JG



- NOTES:
1. DIMENSIONS IN BRACKETS [ ] ARE IN MILLIMETERS ROUNDED OFF TO THE NEAREST MILLIMETER, UNLESS OTHERWISE SPECIFIED, AND ARE FOR REFERENCE ONLY.
  2. MATERIAL: STAINLESS STEEL.
  3. DIE INSPECTION GAGE CATALOG NUMBER (CUSTOMER & ENGINEERING USE ONLY): UPG-936.

TO ORDER BURNDY® PRODUCTS CALL		HEXAGONAL NON-BUTTING TWIN DIE	
UNITED STATES: 1-800-346-4175 (LONDONDERRY, NH)		ITEM NO: --	
CANADA: 1-800-361-6975 (QUEBEC) 1-800-387-6487 (ALL OTHER PROVINCES)		CAT. NO: U39ART2	
FOR PRODUCT INFO: <a href="http://www.burndy.com">http://www.burndy.com</a>		DRAWN BY: I. ANBALAGAN 07/02/09	
		CHECKER: --	
		DSN APPVL: --	
		MFG APPVL: --	
		QA APPVL: --	
		MKT APPVL: --	
		SCALE: 3:2	
		PROJ. FAM: TOOLS_HYDRAULIC/U-DIES	
		DRAWING NO	
		REV	
		PROJECT #: --	
		SIZE	
		10102844	
		DOCUMENT TYPE: Sales	
		B	
		SHEET 1 OF 1	
		A	

REV: PE0200