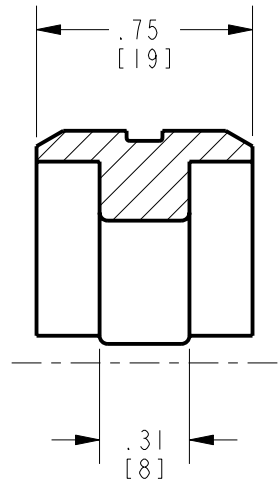
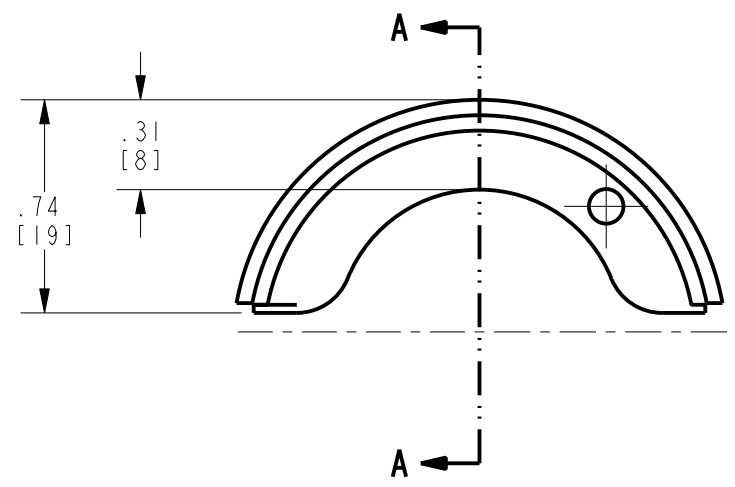
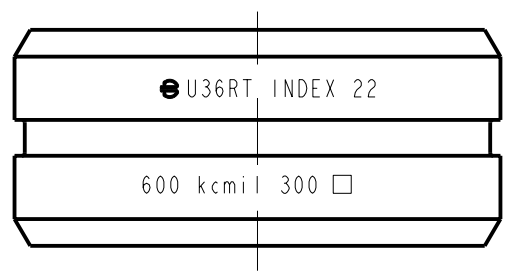
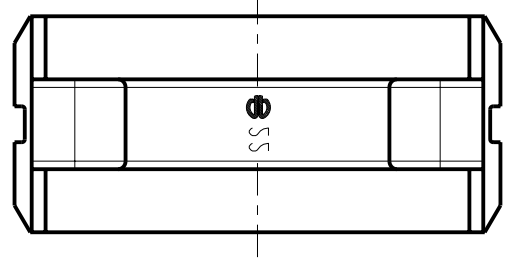
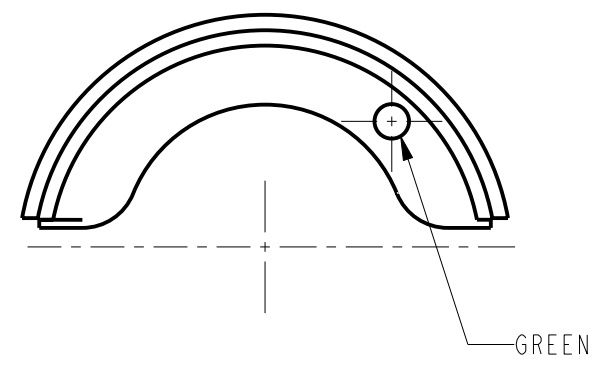


REV.	DATE	DESCRIPTION	ECO	BY	C'H'K.
B	05/02/2013 21:00:00 PM	UPDATE AS PER MARKUPS	31294	MG	JG



SECTION A-A



NOTES:

1. DIMENSIONS IN BRACKETS [] ARE IN MILLIMETERS ROUNDED OFF TO THE NEAREST MILLIMETER, UNLESS OTHERWISE SPECIFIED, AND ARE FOR REFERENCE ONLY.
2. DIE INSPECTION GAGE CATALOG NUMBER (CUSTOMER & ENGINEERING USE ONLY): UPG22.
3. MATERIAL: STAINLESS STEEL.
4. WIRE SIZE(CU.): 600 KCMIL (300 mm²).

TO ORDER BURNDY® PRODUCTS CALL
 UNITED STATES:
 1-800-346-4175 (LONDONDERRY, NH)
 CANADA:
 1-800-361-6975 (QUEBEC)
 1-800-387-6487 (ALL OTHER PROVINCES)
 FOR PRODUCT INFO: <http://www.burndy.com>

CIRCULAR NON-BUTTING TWIN DIE	
ITEM NO: --	
CAT. NO: U36RT	
DRAWN BY: I. ANBALAGAN 06/22/09	
CHECKER: --	
DSN APPVL: --	
MFG APPVL: --	
QA APPVL: --	
MKT APPVL: --	
PROD FAM: TOOLS-HYDRAULIC/U-DIES	SCALE: 3:2
PROJECT #: --	DRAWING NO
DOCUMENT TYPE: Sales	10102825
REL LEVEL: Released	B
	SHEET 1 OF 1



REV: PE0200