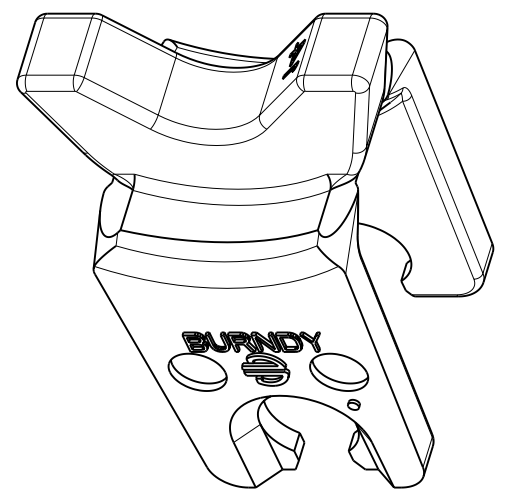
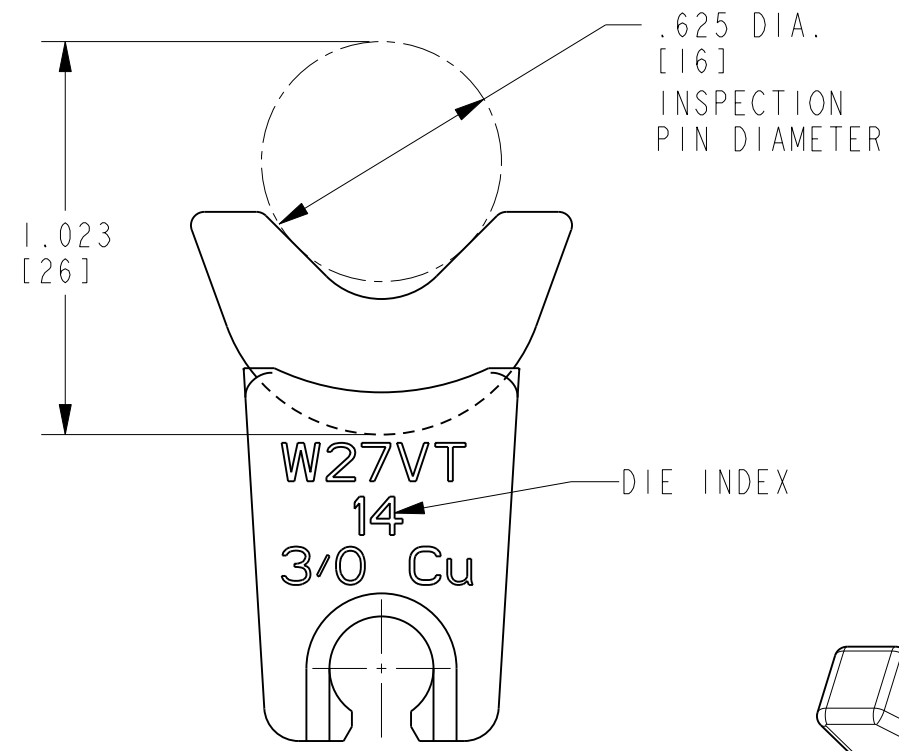
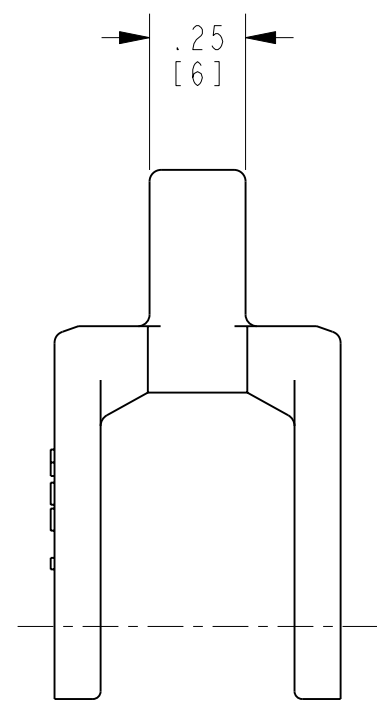
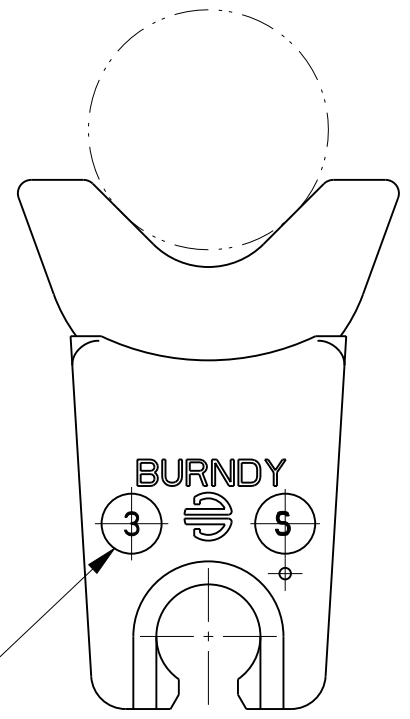
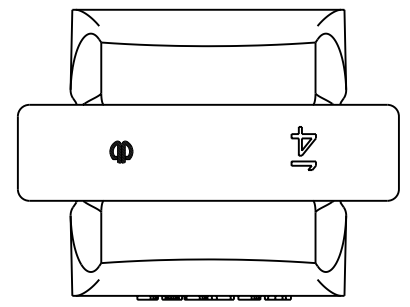


REV.	DATE	DESCRIPTION	ECO	BY	C'H'K.
B	03/18/2015 00:00:00 AM	UPDATED AS PER MARKUP	37620	RM	RM



NOTES:

1. DIMENSIONS IN BRACKETS [ ] ARE IN MILLIMETERS ROUNDED OFF TO THE NEAREST MILLIMETER, UNLESS OTHERWISE NOTED, AND ARE FOR REFERENCE ONLY.
2. MATERIAL: STAINLESS STEEL
3. CATALOG NUMBER CONSIST OF TWO DIE HALVES.

TO ORDER BURNDY® PRODUCTS CALL		W-DIES	
UNITED STATES: 1-800-346-4175 (LONDONDERRY, NH)		ITEM NO: --	CAT. NO: W27VT
CANADA: 1-800-361-6975 (QUEBEC) 1-800-387-6487 (ALL OTHER PROVINCES)		DRAWN BY: M RAJASEKAR 6/11/2009	CHECKER: R RICK 7/13/2009
FOR PRODUCT INFO: <a href="http://www.burndy.com">http://www.burndy.com</a>		DSN APPVL: R RICK 7/13/2009	MFG APPVL: S HOPPS 8/11/2009
		QA APPVL: A CHARLES 7/15/2009	MKT APPVL: P ROBERT 7/09/2009
		PROJECT #: --	SIZE B
		DOCUMENT TYPE: Sales	REL LEVEL: Released
		SCALE: 2:1	
		DRAWING NO	REV
		10102372	B
		SHEET 1 OF 1	

REV: PE0200