

Multimedia Outlet System (MOS) Connector Inserts

Multimedia Outlet System (MOS)

APPLICATION

For configuring UTP and fiber optic connectivity in the QuickPort® Multimedia Outlet System. All MOS inserts snap into MOS wallplates and surface-mount housings from the front or side. Available in four colors.

FEATURES

- Adapter insert accepts all existing QuickPort simplex snap-in connectors, fiber and coaxial bulkhead modules.
- Inserts load into housings from the front or side.
- Available in four colors: Ivory, White, Grey and Black

STANDARDS COMPLIANCE

Meets all applicable standards: TIA/EIA-568-B compliant.

PHYSICAL SPECIFICATIONS

Dimensions: See second page

Materials: Fire-retardant plastic rated UL 94V-0

Couplings: ST® adapters available with ceramic or metal sleeve

SC adapters available with ceramic or metal sleeve

FC adapters available with ceramic or metal sleeve

ST adapters are multimode/singlemode rated

SC adapters are multimode/singlemode rated

FC adapters are multimode/singlemode rated

Mounting: Snaps into MOS wallplate or surface mount housing



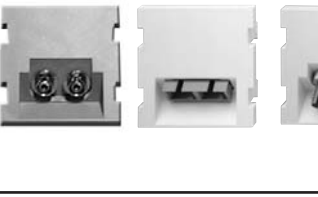
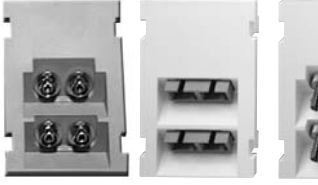
DESIGN CONSIDERATIONS

- Inserts fit QuickPort MOS housings and wallplates only. Simplex QuickPort modules also fit MOS housings if the 2-Port QuickPort Module Adapter insert is used.
- Use angled coupling or connector inserts when a low profile exit is desired.
- Place angled outlets on bottom of plate configuration to allow cable clearance at top of wall opening.
- QuickPort connectors must be ordered separately.

WARRANTY INFORMATION

For a copy of Leviton product warranties, log on to www.levitonvoicedata.com/warranty.

See ELECTRONIC FILES for CAD files (.DXF, .DWG, MS-DOS.EPS) on disk

	<p>1-unit high inserts</p> <ul style="list-style-type: none"> • QuickPort® simplex module adapter • 2 SC couplings • 2 ST couplings • 2 FC couplings <p>Not shown:</p> <ul style="list-style-type: none"> • Blank • S-Video • RCA's
	<p>1.5-unit high inserts</p> <ul style="list-style-type: none"> • 45° QuickPort® simplex module adapter • 45° Angled Duplex SC couplings • 45° Angled Duplex ST couplings • 45° Angled Duplex FC couplings. <p>Not shown:</p> <ul style="list-style-type: none"> • Blank
	<p>2-unit high inserts</p> <ul style="list-style-type: none"> • 45° Angled Duplex SC coupling • 45° Angled Duplex ST coupling • 45° Angled Duplex FC coupling <p>Not shown:</p> <ul style="list-style-type: none"> • IEEE 802.5 connector opening • Blank
	<p>3-unit high inserts</p> <ul style="list-style-type: none"> • 45° Angled 4 SC couplings • 45° Angled 4 ST couplings • 45° Angled FC couplings

For ELECTRONIC Typical Specs see (.TXT) file on disk.

TYPICAL SPECIFICATION

The outlet connector inserts shall comply with TIA/EIA-568-B requirements. It shall be made of fire-retardant plastic rated UL94V-0. Inserts shall be type SC, FC or ST with metal or ceramic sleeve for multimode and singlemode application. Inserts must be capable of interchangeable mounting between various multimedia surface- and flush-mount outlets, and must provide an adapter insert which is capable of housing 1-2 individual QuickPort® snap-in connectors and modules. Inserts must be capable of maintaining a minimum cable bend-radius within the area of minimum NEMA box enclosures.



For Technical Support Call 1-425-485-4288; in USA call 1-800-824-3005.
 Spec sheets and updates are also available at www.levitonvoicedata.com.

2222 - 222nd St. SE • Bothell, WA 98021 USA
 Tel: 1-800-722-2082 / 1-425-485-4288 • Fax: 1-425-483-5270 • Int'l Fax: 1-425-485-9170 • GSA Schedule Available.

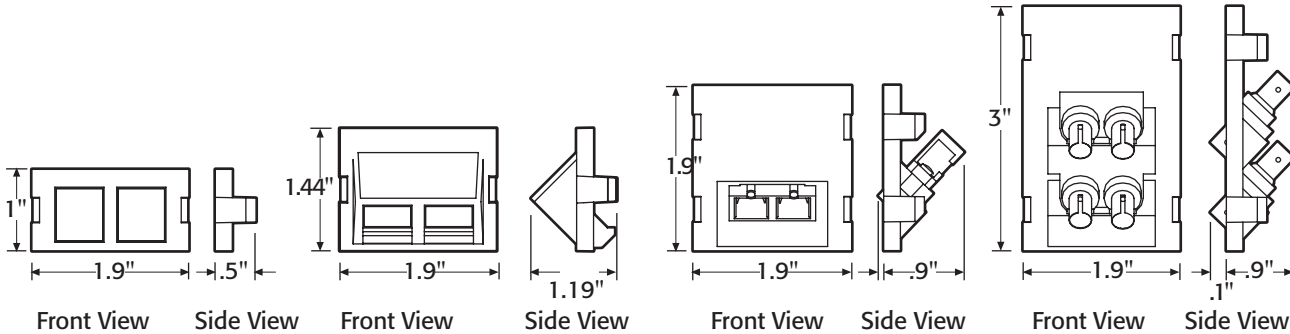


Multimedia Outlet System (MOS) Connector Inserts

Part Numbers
41291-xxx 41293-xxx
41292-xxx 41294-xxx
41295-xxx

DIMENSIONAL LINE ART

See ELECTRONIC FILES for CAD images
 (.DXF, .DWG, MS-DOS.EPS)



PART NUMBERS QuickPort® Multimedia Outlet System Inserts

*= Insert Color Choices: Ivory (I), White (W), Grey (G), Black (E).

Description	Part No.
1 Duplex SC, zirconia ceramic, SM/MM (1 unit high)	41291-2C*
1 Duplex SC, phosphor bronze, SM/MM (1 unit high)	41291-2P*
1 Duplex SC, zirconia ceramic, SM/MM 45° Exit (1.5 units high)	41294-2C*
1 Duplex SC, phosphor bronze, SM/MM 45° Exit (1.5 units high)	41294-2P*
1 Duplex SC, zirconia ceramic, SM/MM 45° Exit (2 units high)	41292-2C*
1 Duplex SC, phosphor bronze, SM/MM 45° Exit (2 units high)	41292-2P*
1 Duplex SC, zirconia ceramic, SM/MM 45° Exit (3 units high)	41293-4C*
1 Duplex SC, phosphor bronze, SM/MM 45° Exit (3 units high)	41293-4P*

Description	Part No.
2 ST® Connectors, phosphor bronze, SM/MM (1 unit high)	41291-2T*
2 ST® Connectors, phosphor bronze, SM/MM (1.5 units high)	41294-2T*
2 ST® Connectors, phosphor bronze, SM/MM (2 units high)	41292-2T*
2 ST® Connectors, phosphor bronze, SM/MM (3 units high)	41293-4T*

Description	Part No.
1 Duplex FC, zirconia ceramic sleeve (1 unit high) MOS	41291-ZF*
1 Duplex FC, phosphor bronze sleeve (1 unit high) MOS	41291-PF*
1 Duplex FC, 45° exit, zirconia ceramic sleeve (1.5 units high)	41294-ZF*
1 Duplex FC, 45° exit, phosphor bronze sleeve (1.5 units high)	41294-PF*
1 Duplex FC, 45° exit, zirconia ceramic sleeve (2 units high)	41292-ZF*
1 Duplex FC, 45° exit, phosphor bronze sleeve (2 units high)	41292-PF*
1 Dual Duplex FC, 45° exit, zirconia ceramic sleeve (3 units high)	41293-ZF*
1 Dual Duplex FC, 45° exit, phosphor bronze sleeve (3 units high)	41293-PF*

Description	Part No.
1 Duplex ST, zirconia ceramic sleeve (1 unit high) MOS	41291-ZT*
1 Duplex ST, 45° exit, zirconia ceramic sleeve (1.5 units high)	41294-ZT*
1 Duplex ST, 45° exit, ceramic zirconia sleeve (2 units high)	41292-ZT*
1 Dual Duplex ST, 45° exit, zirconia ceramic sleeve (3 units high)	41293-ZT*

PART NUMBERS QuickPort Snap-In Modules

For use in MOS 2-Port Adapter

Description	Part No.
QuickPort® Module Adapter (1 unit high)	41291-2Q*
QuickPort® Module Adapter (1.5 units high)	41294-2Q*

Description	Part No.
Blank Module (.5 unit high)	41295-1B*
Blank Module (1 unit high)	41291-1B*
Blank Module (1.5 units high)	41294-2B*
Blank Module (2 units high)	41292-2B*

Description	Part No.
S-Video (1 unit high)	41291-1V*
Dual RCA (1 units high)	41291-1R*

Note: Multimedia Outlet System housings & inserts are sold separately.

*Call for lead times on FDDI and 802.5 inserts.



For Technical Support Call 1-425-485-4288; in USA call 1-800-824-3005.
 Spec sheets and updates are also available at www.levitonvoicedata.com.



2222 - 222nd St. SE • Bothell, WA 98021 USA • Tel: 1-800-722-2082 / 1-425-485-4288 • Fax: 1-425-483-5270 • Int'l Fax: 1-425-485-9170 • GSA Schedule Available.