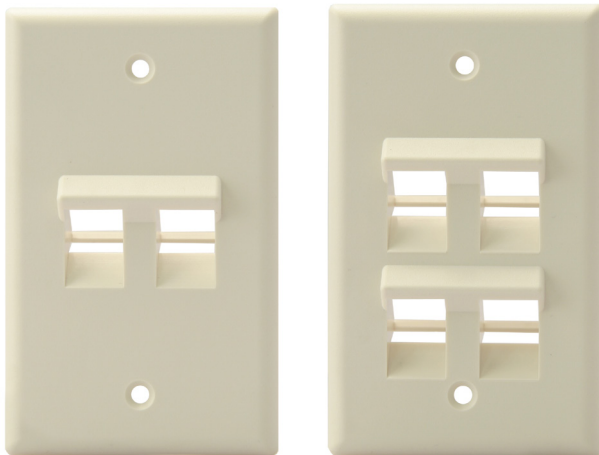


Angled Single-Gang QuickPort® Wallplates

APPLICATION

Angled single-gang wallplates accept QuickPort snap-in modules to support multimedia applications with 2 or 4 ports. Use where an economical one-piece, single-gang flush-mount housing is desired. Available in three colors (white, light almond, and ivory) with color-matched screws.



SPECIFICATION

The wallplate housing shall be a one-piece, single-gang flush-mount style that fits standard NEMA openings. It shall provide 2 or 4 ports and feature an angled design to facilitate optimal cable management. Must be able to accept all Leviton UTP, Fiber, or AV QuickPort modules. It must be made of high-impact, fire-retardant plastic rated UL 94V-0, and be cULus Listed and compliant with ANSI/TIA-568-C.0 specifications.

FEATURES

- Angled ports facilitate optimal cable management, ensuring proper bend radius compliance in front and back of connector
- Recessed ports protect jack and patch cord plug
- Color-matched wallplate screws
- Fits within minimum rectangular NEMA openings
- Compatible with all individual UTP, Fiber, and AV QuickPort modules*
- Individual port configurability allows specification flexibility
- Ideal for CAT 6A applications at the workstation

DESIGN CONSIDERATIONS

- Fits standard NEMA single-gang backboxes
- For future expansion, install blanks (41084-B*B) in unused ports
- Specify port identification method (colored modules, designation labels, and custom silk-screening available). To identify ports, use different colored jacks for each application, or Leviton pre-printed adhesive Port Designation Labels (41080-LEB)

STANDARDS COMPLIANCE

- cULus Listed (UL 1863 & CAN/CSA-C22.2 No. 182.4)
- ANSI/TIA-568-C.0

PHYSICAL SPECIFICATIONS

- Dimensions: See page two
Capacity: Available in 2- or 4-port versions
Materials: High-impact, fire-retardant plastic rated UL 94V-0
Mounting: Color-matched screws

COUNTRY OF ORIGIN

Taiwan

WARRANTY INFORMATION

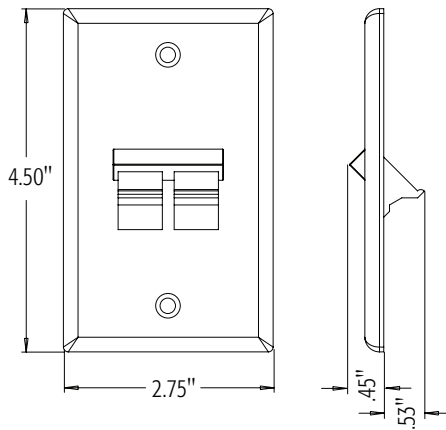
For a copy of Leviton product warranties, visit www.leviton.com/warranty.

* Due to product dimensions, shielded connectors must be installed horizontally (side-by-side). Shielded connectors installed vertically will not fit correctly into a QuickPort wallplate.

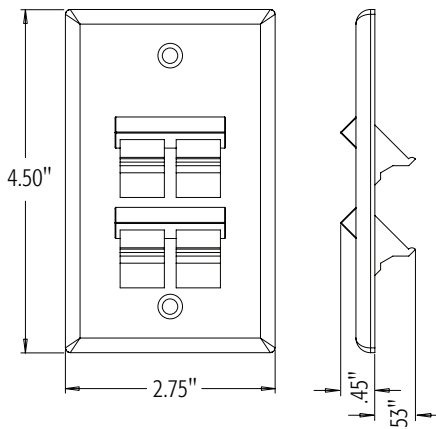
ELECTRONIC FILES

For CAD files, typical specs, or technical drawings (.DXF, .DWG), visit www.leviton.com.

41081-2xP



41081-4xP



41081-xxP

PART NUMBERS

Description	WHITE	LT. ALMOND	IVORY
Angled Single-Gang QuickPort® Wallplate, 2 Ports	41081-2WP	41081-2TP	41081-2IP
Angled Single-Gang QuickPort Wallplate, 4 Ports	41081-4WP	41081-4TP	41081-4IP

NOTE: QuickPort snap-in modules (connectors and bulkhead connectors and couplings) are sold separately. Please refer to the QuickPort module spec sheets for ordering information.



Leviton Network Solutions
2222 - 222nd St. SE
Bothell, WA 98021-4416

Asia / Pacific
T +1.631.812.6228
E infoasean@leviton.com

Canada
T +1.514.954.1840
E pcservice@leviton.com

Caribbean
T +1.954.593.1896
E infocaribbean@leviton.com

China
T +852.2774.9876
E infochina@leviton.com

Colombia
T +57.1.743.6045
E infocolombia@leviton.com

tel 1-800-824-3005
tel +1-425-486-2222
appeng@leviton.com
www.leviton.com

Europe
T +33.6.8869.1380
E infoeurope@leviton.com

India / SAARC
T +971.4.886.4722
E infoindia@leviton.com

Mexico
T +52.55.5082.1040
E lsamarketing@leviton.com

Middle East & Africa
T +971.4.886.4722
E lmeinfo@leviton.com

South Korea
T +82.2.3273.9963
E infokorea@leviton.com