



Color: Black

UPC Code: 07847707306

Country Of Origin: United States

## CS320-2E

### Brand Features

Leviton's Commercial Specification Grade switches are designed to offer outstanding reliability and top performance in commercial settings. Ideal applications include municipal facilities, government buildings, malls, department stores, hospital and health care facilities, office buildings, schools, colleges, universities, houses of worship and cultural institutions. Leviton offers a large selection of 15 and 20 Amp Commercial switches, available in a wide variety of colors, wiring options and other features.

### Item Description

20 Amp, 120/277 Volt, Toggle 3-Way AC Quiet Switch, Heavy Duty Specification Grade, Grounding, Side Wired - BLACK

### Technical Information

#### AC Horsepower Ratings

**HP Rating:** 1HP-120V 2HP-240V-277V

#### Electrical Specifications

**Amperage:** 20 A

**Dielectric Voltage:** Withstands 1500V for 1 minute

**Endurance:** 50,000 cycles minimum

**Grounding:** Grounding

**Max. Amperage:** 16 Amp

**Overload UL20 Test:** 100 cycles of OL at 4.8 times rated current

**Temperature Rise:** Max 30°C temp rise at full-rated current after 150 cycles of OL at 150% rated DC current

**Voltage:** 120/277 VAC

#### Environmental Specifications

**Flammability:** Rated V-2 per UL94

**Operating Temperature:** -40°C to 65°C

#### Material Specifications

**Actuator Material:** Thermoplastic

**Body Material:** Thermoplastic

**Color:** Black

**Strap Material:** Steel

**Termination:** Side Wire

#### Mechanical Specifications

**Terminal Accom.:** 14-12 AWG

**Termination:** Side Wire

#### Product Features

**Color:** Black

**Device Type:** Toggle Switch

**Function:** 3-Way

**Grade:** Commercial Specification Grade

**Voltage:** 120/277 VAC

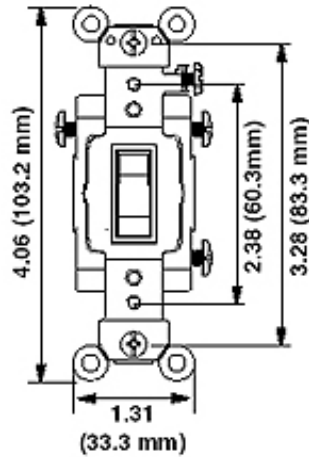
#### Standards and Certifications

**Standards and Certifications:** UL/CSA

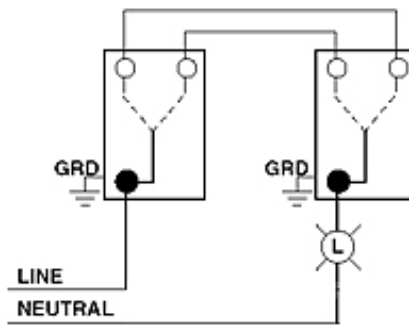
**UL Fed Spec WS896E:** File #E7458

**Warranty:** 10 Year Limited

### Dimensional Diagram



### Wiring Diagram 3-Way to 3-Way



### SPECIFICATION SUBMITTAL

JOB NAME: <input type="text"/>	CATALOG NUMBERS: <input type="text"/>
JOB NUMBER: <input type="text"/>	<input type="text"/>

#### Leviton Manufacturing Co., Inc.

201 North Service Road, Melville, NY 11747

Teléfono: +1-800-323-8920 · FAX: +1-800-832-9538 · Tech Line (8:30AM-7:30PM E.S.T. Monday-Friday): +1-800-824-3005

#### Leviton Manufacturing of Canada, Ltd.

165 Hymus Boulevard, Pointe Claire, Quebec H9R 1E9 · Telephone: +1-800-469-7890 ·

FAX: +1-800-824-3005 · [www.leviton.com/canada](http://www.leviton.com/canada)

#### Leviton S. de R.L. de C.V.

Lago Tana 43, Mexico DF, Mexico CP 11290 · Tel.: (+52)55-5082-1040 · FAX: (+52)5386-1797 · [www.leviton.com.mx](http://www.leviton.com.mx)

Visit our Website at: [www.leviton.com](http://www.leviton.com)

© 2018 Leviton Manufacturing Co., Inc. Todos los derechos reservados. Subject to change without notice.

#### Leviton has a global presence.

If you would like to know where your local Leviton office is located please go to:  
[www.leviton.com/international/contacts/](http://www.leviton.com/international/contacts/)

