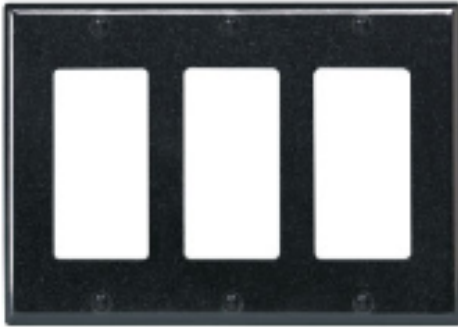


80411-E



Brand Features

Leviton Decora Designer Wallplates — available in a wide spectrum of colors and styles — can add subtle elegance to any home. Sleek, versatile and convenient, they also come in a midway size that gives even greater coverage, and can hide unsightly wall surface irregularities. All Leviton Decorative Wallplates can stand up to heavy use while coordinating perfectly with paint or wall coverings. Think of them as the finishing touch to giving a home its signature look.

Item Description

3-Gang Decora/GFCI Device Decora Wallplate/Faceplate, Standard Size, Thermoset, Device Mount - Black

Technical Information

Product Features

Type: Standard Size

Gang: 3

Material: Thermoset Plastic

Color: Black

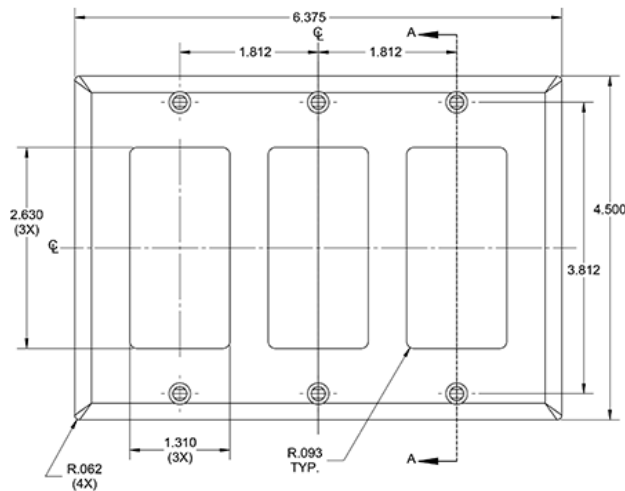
Mount: Device

Standards and Certifications: UL/CSA



UPC Code: 07847748862

Country Of Origin: United States



SPECIFICATION SUBMITTAL

JOB NAME:	CATALOG NUMBERS:	
<input type="text"/>	<input type="text"/>	<input type="text"/>
JOB NUMBER:	<input type="text"/>	<input type="text"/>

Leviton Manufacturing Co., Inc.

201 North Service Road, Melville, NY 11747

Teléfono: +1-800-323-8920 · FAX: +1-800-832-9538 · Tech Line (8:30AM-7:30PM E.S.T. Monday-Friday): +1-800-824-3005

Leviton Manufacturing of Canada, Ltd.

165 Hymus Boulevard, Pointe Claire, Quebec H9R 1E9 · Telephone: +1-800-469-7890 ·

FAX: +1-800-824-3005 · www.leviton.com/canada

Leviton S. de R.L. de C.V.

Lago Tana 43, Mexico DF, Mexico CP 11290 · Tel.: (+52)55-5082-1040 · FAX: (+52)5386-

1797 · www.leviton.com.mx

Visit our Website at: www.leviton.com

© 2018 Leviton Manufacturing Co., Inc. Todos los derechos reservados. Subject to change without notice.

Leviton has a global presence.

If you would like to know where your local Leviton office is located please go to:

www.leviton.com/international/contacts/

