



UPC Code: 07847778961

Country Of Origin: Mexico

5693-2I

Brand Features

Decora® brand Plus devices combine designer styling with all the benefits of rugged Commercial Grade construction. The robust product offering includes: single pole, double pole, 3 and 4-way switches, momentary and maintained contact switches, as well as pilot light and illuminated switches.

Item Description

15 Amp, 120/277 Volt, Decora Plus Rocker 3-Way AC Quiet Switch, Commercial Spec Grade, Self Grounding, Back & Side Wired, - Ivory

Technical Information

AC Horsepower Ratings

HP Rating: 1/2HP-120V 2HP-240V-277V

Max. Amperage: 12 Amp

Electrical Specifications

Grounding: Self-Grounding

Amperage: 15 A

Voltage: 120/277 VAC

Dielectric Voltage: Withstands 1500V for 1 minute

Overload UL20 Test: 100 cycles of OL at 4.8 times rated current

Temperature Rise: Maximum 30 degrees C rise

Endurance: 50,000 cycles minimum

Environmental Specifications

Flammability: Rated V-2 per UL 94

Operating Temperature: -40°C to 65°C

Material Specifications

Actuator Material: Thermoplastic

Body Material: Thermoplastic

Strap Material: Steel

Color: Ivory

Mechanical Specifications

Terminal ID: Brass-Hot Black-Hot White-Neutral Green-Gnd

Terminal Accom.: 14-#10 AWG back wired; #14-#12 AWG side wired

Product ID: Stamped on Strap

Torque Range: 12-14 inch pounds

Termination: Back or Side Wire

Product Features

Grounding: Self-Grounding

Voltage: 120/277 VAC

HP Rating: 1/2HP-120V 2HP-240V-277V

Body Material: Thermoplastic

Color: Ivory

Function: 3-Way

Grade: Commercial Specification Grade

Brand: Decora Plus

Device Type: Rocker Switch

Standards and Certifications

NEMA: WD-1 & WD-6

ANSI: C-73

UL Standard: UL 20

CSA C22.2 No. 111: File #152105

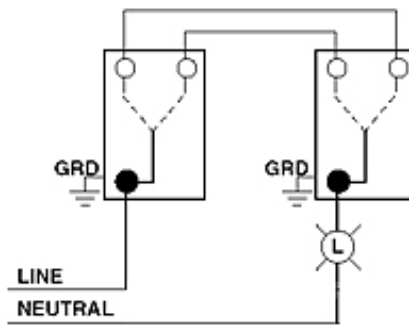
NOM: 057

Warranty: 10 Year Limited

Dimensional Diagram



Wiring Diagram 3-Way to 3-Way



SPECIFICATION SUBMITTAL

JOB NAME:	CATALOG NUMBERS:	
<input type="text"/>	<input type="text"/>	<input type="text"/>
JOB NUMBER:	<input type="text"/>	<input type="text"/>

Leviton Manufacturing Co., Inc.

201 North Service Road, Melville, NY 11747

Teléfono: +1-800-323-8920 · FAX: +1-800-832-9538 · Tech Line (8:30AM-7:30PM E.S.T. Monday-Friday): +1-800-824-3005

Leviton Manufacturing of Canada, Ltd.

165 Hymus Boulevard, Pointe Claire, Quebec H9R 1E9 · Telephone: +1-800-469-7890 ·

FAX: +1-800-824-3005 · www.leviton.com/canada

Leviton S. de R.L. de C.V.

Lago Tana 43, Mexico DF, Mexico CP 11290 · Tel.: (+52)55-5082-1040 · FAX: (+52)5386-

1797 · www.leviton.com.mx

Visit our Website at: www.leviton.com

© 2018 Leviton Manufacturing Co., Inc. Todos los derechos reservados. Subject to change without notice.

Leviton has a global presence.

If you would like to know where your local Leviton office is located please go to:

www.leviton.com/international/contacts/

