



**UPC Code:** 07847751824

**Country Of Origin:** United States

## 5613-2I

### Brand Features

Featuring a look and feel that qualify them as modern classics, Decora Designer Rocker Switches add so much at a modest cost that no home should be without them. Their sleek simplicity and smooth, quiet operation stem from quality materials fitted to tight tolerances and finished with great care, ensuring years of trouble-free service. Easy to wire, they work with tungsten, fluorescent and resistive loads. Legendary Decora® Designer Rocker Switches come in a variety of colors to harmonize with any décor. Their sturdy construction and dependable performance are everything you'd expect from the pre-eminent switch maker.

### Item Description

15 Amp, 120/277 Volt, Decora Rocker 3-Way AC Quiet Switch, Residential Grade, Illuminated When Off, Grounding, Quickwire Push-In & Side Wired - Ivory

**NOTE: When connected to compact fluorescent lamps or LEDs, the bulb may flicker while switch is in the off position.**

### Technical Information

#### Product Features

**Grounding:** Grounding

**Amperage:** 15 A

**Voltage:** 120/277 VAC

**HP Rating:** 1/2HP-120V 2HP-240V-277V

**Max. Amperage:** 12 Amp

**Termination:** Quickwire Push-In & Side

**Actuator Material:** Thermoplastic

**Body Material:** Thermoplastic

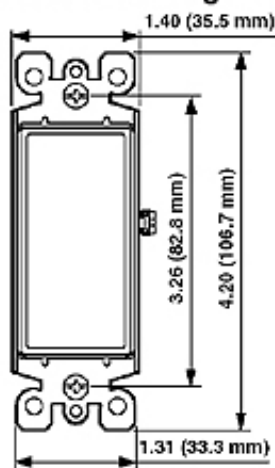
**Strap Material:** Steel

**Color:** Ivory

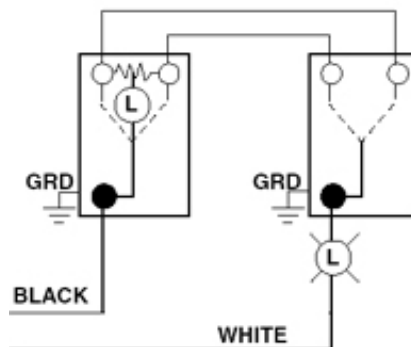
**Standards and Certifications:** UL/CSA

**Warranty:** 2 Year Limited

### Dimensional Diagram



### Wiring Diagram 3-Way Lighted



### SPECIFICATION SUBMITTAL

JOB NAME:	CATALOG NUMBERS:	
<input type="text"/>	<input type="text"/>	<input type="text"/>
JOB NUMBER:	<input type="text"/>	<input type="text"/>

#### Leviton Manufacturing Co., Inc.

201 North Service Road, Melville, NY 11747

Teléfono: +1-800-323-8920 · FAX: +1-800-832-9538 · Tech Line (8:30AM-7:30PM E.S.T. Monday-Friday): +1-800-824-3005

#### Leviton Manufacturing of Canada, Ltd.

165 Hymus Boulevard, Pointe Claire, Quebec H9R 1E9 · Telephone: +1-800-469-7890 ·

FAX: +1-800-824-3005 · [www.leviton.com/canada](http://www.leviton.com/canada)

#### Leviton S. de R.L. de C.V.

Lago Tana 43, Mexico DF, Mexico CP 11290 · Tel.: (+52)55-5082-1040 · FAX: (+52)5386-

1797 · [www.leviton.com.mx](http://www.leviton.com.mx)

Visit our Website at: [www.leviton.com](http://www.leviton.com)

© 2018 Leviton Manufacturing Co., Inc. Todos los derechos reservados. Subject to change without notice.

#### Leviton has a global presence.

If you would like to know where your local Leviton office is located please go to:

[www.leviton.com/international/contacts/](http://www.leviton.com/international/contacts/)

