

Fig. A

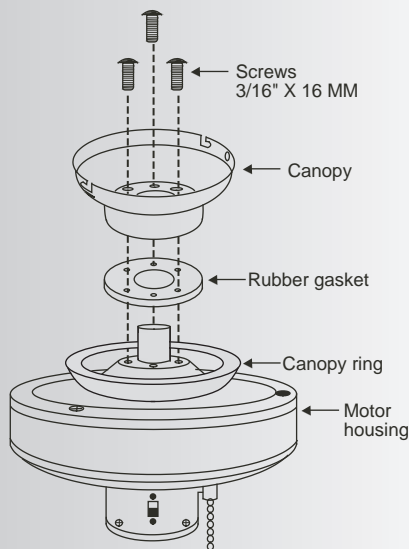


Fig. B

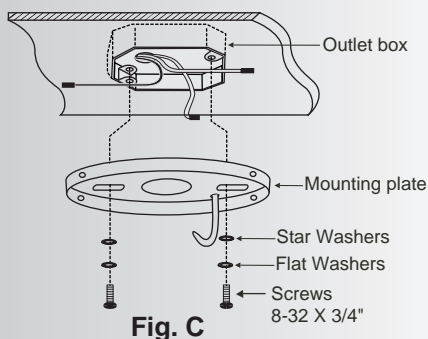


Fig. C

BE SURE TO FOLLOW ALL STEPS IN THE ORDER GIVEN. BE SURE POWER IS OFF AT FUSE, OR CIRCUIT BREAKER BOX.

A. Canopy

B. Mounting plate (located inside canopy)

C. #10 X 1.5" Wood screws (2 PCs.), #8-32 X 3/4" Machine screws (2PCs.), 4mm Star washers (2 PCs.), Wire nuts (3 PCs.), Washers (2PCs.).

D. 3/16" x 16 mm screws (3PCs.), Rubber gasket.

E. Safety cable hardware: Wood screw, Lock washer and Flat washer.

1. Remove the canopy ring from the canopy. (Fig. A)

2. Remove the mounting plate from the canopy by loosening the four screws on the top of the canopy. Remove the two non-slotted screws and loosen the slotted screws. This will enable you to remove the mounting plate. (Fig. A)

3. Remove 3 of the 6 screws (Every other screw) from the top of the motor housing.

4. Route motor wires through the canopy ring, rubber gasket and canopy supplied with this kit. (Fig. B)

5. Align the recessed holes in the canopy along with the rubber gasket over the three screw heads on the top of the motor housing. (Fig. B)

6. Secure the canopy to the top of the motor housing by tightening three 3/16" x 16mm screws provided. (Fig. B)

7. Secure the mounting plate to the ceiling outlet box using the two 8-32 x 3/4" screws, star washers, lock washers and flat washers provided. (Fig. C)

8. Hang the fan on the hook of the mounting plate, refer to the instruction manual included with your fan for the wire connections. An additional safety support is provided to prevent the fan from falling fan). Place the end of cable through the loop of ceiling support cable. Pull as much cable through loop as possible. Feed end of cable into clamp hole and firmly tighten screw. Cut off excess safety cable. Secure the safety cable to the ceiling joist with screw and washer. (Fig. D)

9. Secure the ceiling fan canopy to the mounting plate with the four 3/16" x 3/8" screws and lock washers provided. (Fig. E) Raise canopy ring up against canopy and secure it to canopy until snug.

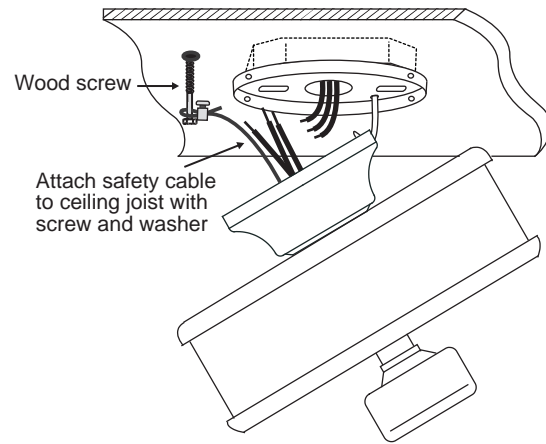


Fig. D

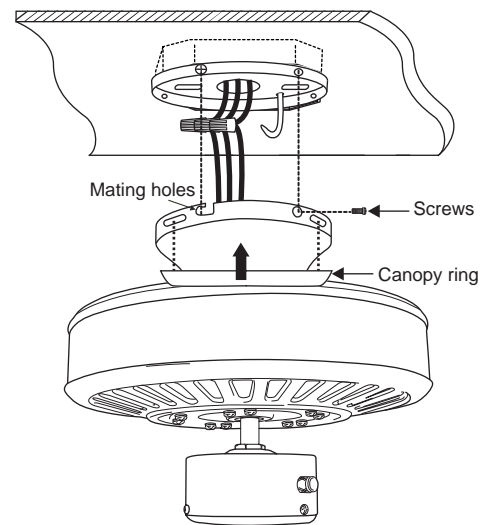


Fig. E