

Raceway  
Non-Metallic Raceway  
PB3 BaseTrak® Flat Elbow Cover

# HUBBELL

### Features

- Full capacity 1¼ in. bend radius flat elbow.

### Ordering Information

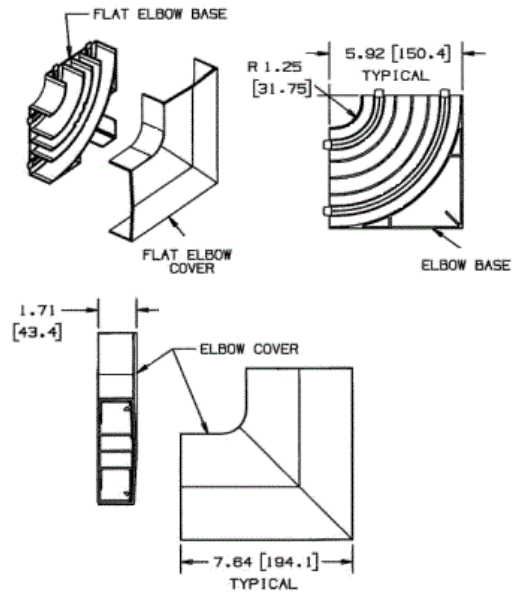
Description	Color	UPC Number	Catalog Number
Flat Elbow Cover	Office White	783585090825	PB3FE

### Listings

UL Listed  
CSA Certified

### Specifications

Height	1.71"
Width	7.64"
Length	7.64"



### Online Resources

Customer Use Drawing  
eCatalog  
Installation Instructions

Dimensions in Inches (mm)

Hubbell Wiring Device-Kellems • Hubbell Incorporated (Delaware) • 40 Waterview Drive • Shelton, CT 06484

Phone (800) 288-6000 • Fax (800) 255-1031 • Specifications subject to change without notice.

