

Raceway
Non-Metallic Raceway
PW2 WallTrak® (Latching) 2-Gang Deep
Undivided Box

HUBBELL

Features

- For low voltage applications only. Use with 2-gang “IFP” or “IMF” plates only
- Use with 2-gang “IFP” or “IMF” plates only
- See page R-63 for recommended plate options.

Ordering Information

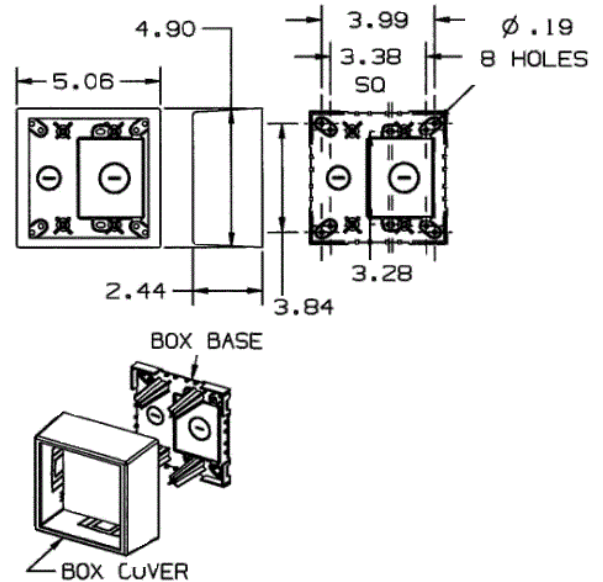
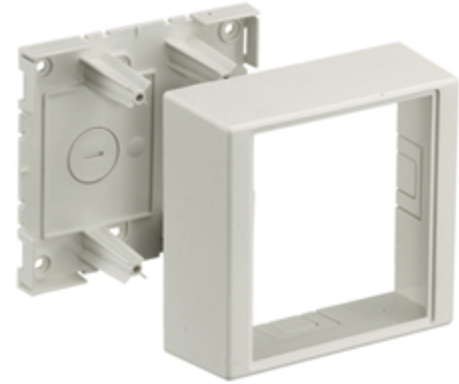
Description	Color	UPC Number	Catalog Number
2-Gang Deep Undivided Box	Office White	783585610153	PDB12TGLV

Listings

UL Listed
 CSA Certified

Specifications

Height	4.90"
Width	5.06"
Length	2.44"



Online Resources

Customer Use Drawing
 eCatalog
 Installation Instructions

Dimensions in Inches (mm)

Hubbell Wiring Device-Kellems • Hubbell Incorporated (Delaware) • 40 Waterview Drive • Shelton, CT 06484

Phone (800) 288-6000 • Fax (800) 255-1031 • Specifications subject to change without notice.

