

Raceway
Aluminum Raceway
HBLALU3800 Series Entrance End Fitting

HUBBELL

Features

- For feeding raceway, has two concentric 1/2 in. and 3/4 in. trade size KOs.

Ordering Information

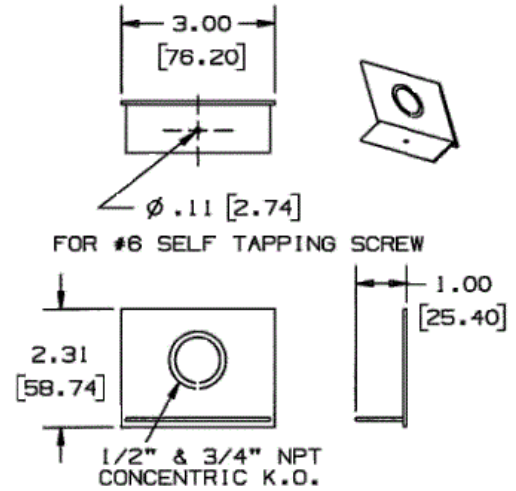
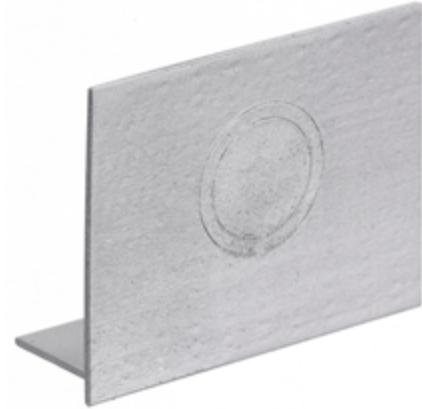
Description	Material	UPC Number	Catalog Number
Entrance End Fitting	Anodized Aluminum	783585218670	HBLALU3810B1

Listings

UL Listed
CSA Certified

Specifications

Height	2.31"
Width	3.00"
Length	0.20"



Online Resources

Customer Use Drawing
eCatalog
Installation Instructions

Dimensions in Inches (mm)

Hubbell Wiring Device-Kellems • Hubbell Incorporated (Delaware) • 40 Waterview Drive • Shelton, CT 06484

Phone (800) 288-6000 • Fax (800) 255-1031 • Specifications subject to change without notice.

