

## Watertight Devices

20A, 3 Phase 347/600V AC, 4 Pole, 5 Wire

## Twist-Lock® Connector

# HUBBELL

### Features

- Smooth body design minimizes collection points simplifying the wash down process
- Strain relief nut always seals on the body, minimizing debris collection
- Stainless steel hardware and corrosion-resistant connection points

### Ordering Information

| Description                              | Cord Diameter               | UPC Number   | Catalog Number |
|--|-----------------------------|--------------|----------------|
| Thermoplastic elastomer yellow connector | 0.375"-0.875"<br>(9.5-22.2) | 783585131863 | HBL27W83       |

### Listings

IP69K rating  
Listed to UL498  
Certified to CSA C22.2 No. 42  
Meets NEMA WD-1, WD-6 and ANSI standards  
UL Listed, CSA Certified to Type 4, 4X, 12, 6, 6P

### Specifications

|                     |                         |
|---------------------|-------------------------|
| Body                | Thermoplastic Elastomer |
| Contact Carrier     | White Nylon             |
| Terminal Retainer   | Clear polycarbonate     |
| Contacts            | Nickel plated brass     |
| Core                | White Nylon             |
| Bushing & Cone Seal | Black Elastomer         |
| Gotcha Ring         | Nylon                   |
| Strain Relief Nut   | PBT                     |
| Terminal Screws     | Nickel Plated Brass     |

### Performance

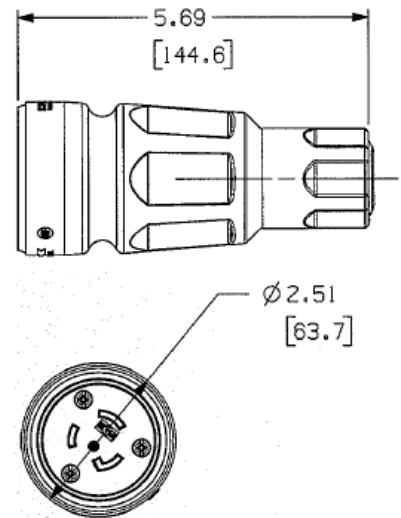
| Electrical           |  |
|----------------------|--|
| Current Interrupting | Rated for current interruption per UL498 |
| Dielectric Voltage   | 3500V AC                                 |
| Max Working Voltage  | As marked                                |
| Temperature Rise     | 30°C max per UL498 at rated current      |

### Mechanical

|                   |                          |
|-------------------|--------------------------|
| Cord Accomodation | 0.375"-0.875" (9.5-22.2) |
|-------------------|--------------------------|

### Environmental

|                        |  |
|------------------------|--|
| Moisture Resistance    | UL Listed 4, 4X, 12, 6, 6P                 |
| Operating temperatures | -40°C (without impact) to +60°C continuous |
| UV resistance          | All exposed materials are UV stabilized    |



### Complementary Products

Watertight Plug

HBL26W83

### Online Resources

Customer Use Drawing  
eCatalog  
Installation Instructions

Dimensions in Inches (mm)

Hubbell Wiring Device-Kellems • Hubbell Incorporated (Delaware) • 40 Waterview Drive • Shelton, CT 06484

Phone (800) 288-6000 • Fax (800) 255-1031 • Specifications subject to change without notice.

