



REDUCED PROFILE – INTRODUCTION



Class I, Div. 2, Groups A,B,C,D
 Class I, Zone 2, Groups IIC,IIB,IIA
 Class II, Div. 1 & 2, Groups E,F,G
 Class III
 Suitable for wet locations
 Marine Rated (US only)
 Type 3, 4X

Certified - File LR11713

CERTILite[®]V LED

FEATURES-SPECIFICATIONS

Applications

CertiLite[®]V VM1L LED fixtures are designed for installations where moisture, dirt, dust, corrosion and vibration may be present, or Type 3 and 4X areas where wind, water, snow, or high ambients can be expected. They can be used in locations made hazardous by the presence of flammable vapors or gases or combustible dusts as defined by the NEC.

Typical applications include manufacturing plants, and certain chemical and petrochemical processing facilities, sewage treatment plants, off-shore and dockside installations, garages and storage facilities.

Compliances

- UL-8750 for LED lighting
- UL-844 Standard for lighting fixtures for hazardous locations, Class I, Division 2; Class II, Divisions 1 and 2; Class III
- CSA C22.2 no. 137-M1981 electric luminaries for use in hazardous locations
- Enclosed and gasketed
- Type 3, 4X

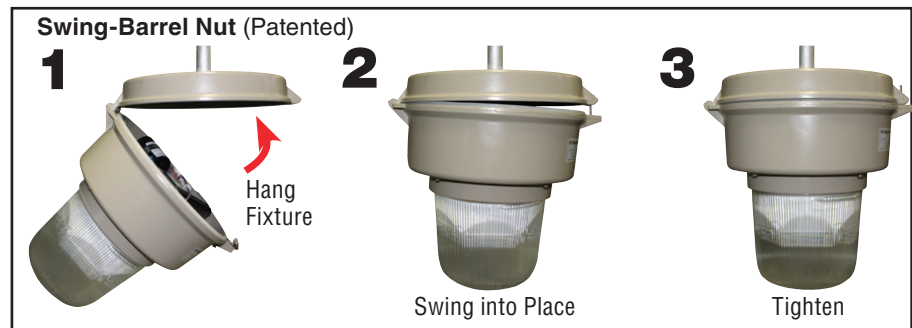
Materials

- Housing, splice box and cast guards corrosion resistant copper-free aluminum alloy
- Baked powder epoxy/polyester finish, electrostatically applied for complete, uniform corrosion protection
- All external hardware - stainless steel
- Reflectors - Polyester reinforced fiberglass

LED Luminaire Features and Standards

Supplemental **20KA/10KV Surge Protection** is **standard** (for 120-277 VAC models)
10KA/10KV Surge Protection (for 347-480 VAC)

- Reduced profile with Traditional Industrial Appearance and Suitability
- Wide variety of optics including globes, globes with reflectors, all-glass refractors, and spin-top refractors
- Swing-Barrel Nut patented tank mounting system
- Optional Mounting arrangements including Pendant, Wall, Ceiling, Stanchion and others
- VM1L LED Housings can be retrofitted to existing VM splice boxes; upgrade from HID sources
- Energy Savings – less than 55 Watts of Power
- LED Array Life – 100,000+ hours with 70% initial lumens
- Long Fixture Life – 50,000 - 55,000 maintenance free hours
- Crisp White Light for Excellent Color Rendering – Chromaticity 5000°K (CCT); 70 CRI
- Ambient suitability -40°C to 55°C
- Instant on – including after power interruption
- “World Voltage” 120-277VAC 50/60Hz
- Solder-LESS LED Board Connections – Vibration Resistant
- Dual Driver Option (DDR) – For additional energy savings, half of the fixture can be turned off



Polycarbonate 12” Spin-top Refractor VZRG2550



Photo controls – Class I Div. 2 / N4X areas
 Available as Field or Factory Installed to save energy when light not required.



Earthquake Tab –
 Built-in attachment point for safety cables.

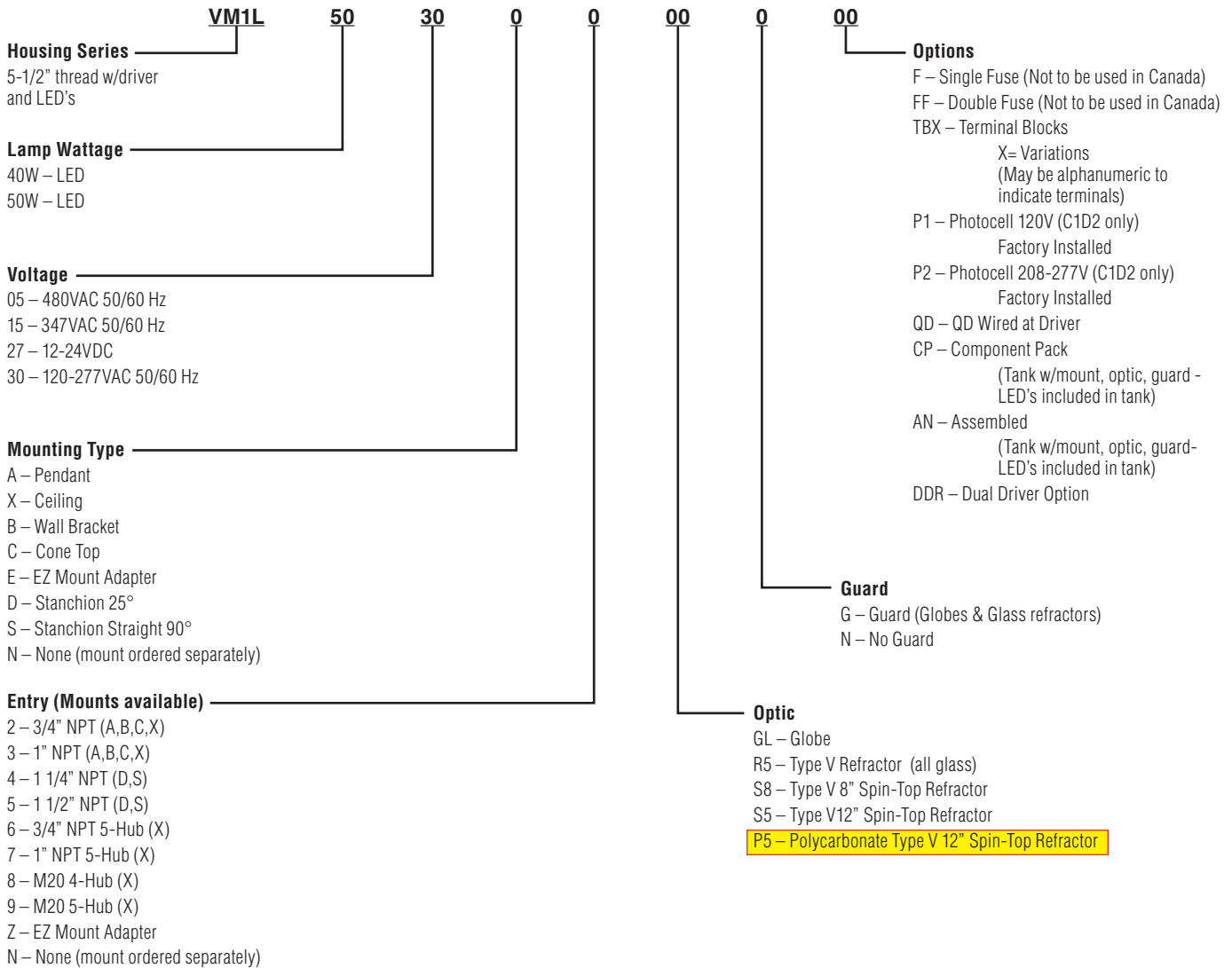
Safety: Secures fixture to structure in case of conduit failure.



REDUCED PROFILE – CATALOG LOGIC

CERTILITE[®]V LED

CertiLite[®]V LED Catalog Number Logic





VM1L SERIES

KILLARK

REDUCED PROFILE – ORDERING INFORMATION



ORDERING INFORMATION

VM1L SERIES PENDANT WITH OPTIC AND GUARD						
WATTS	HUB SIZE	VOLTAGE	GLOBE & GUARD	TYPE V GLASS REFRACTOR & GUARD	8" SPIN-TOP TYPE V REFRACTOR & GUARD	12" SPIN-TOP TYPE V REFRACTOR & GUARD
40	3/4"	120-277VAC	VM1L4030A2GLG	VM1L4030A2R5G	VM1L4030A2S8G	VM1L4030A2S5G
50	3/4"	120-277VAC	VM1L5030A2GLG	VM1L5030A2R5G	VM1L5030A2S8G	VM1L5030A2S5G

VM1L SERIES CEILING WITH OPTIC AND GUARD						
WATTS	HUB SIZE	VOLTAGE	GLOBE & GUARD	TYPE V GLASS REFRACTOR & GUARD	8" SPIN-TOP TYPE V REFRACTOR & GUARD	12" SPIN-TOP TYPE V REFRACTOR & GUARD
40	3/4"	120-277VAC	VM1L4030X2GLG	VM1L4030X2R5G	VM1L4030X2S8G	VM1L4030X2S5G
50	3/4"	120-277VAC	VM1L5030X2GLG	VM1L5030X2R5G	VM1L5030X2S8G	VM1L5030X2S5G

VM1L SERIES WALL WITH OPTIC AND GUARD						
WATTS	HUB SIZE	VOLTAGE	GLOBE & GUARD	TYPE V GLASS REFRACTOR & GUARD	8" SPIN-TOP TYPE V REFRACTOR & GUARD	12" SPIN-TOP TYPE V REFRACTOR & GUARD
40	3/4"	120-277VAC	VM1L4030B2GLG	VM1L4030B2R5G	VM1L4030B2S8G	VM1L4030B2S5G
50	3/4"	120-277VAC	VM1L5030B2GLG	VM1L5030B2R5G	VM1L5030B2S8G	VM1L5030B2S5G

VM1L SERIES CONE WITH OPTIC AND GUARD						
WATTS	HUB SIZE	VOLTAGE	GLOBE & GUARD	TYPE V GLASS REFRACTOR & GUARD	8" SPIN-TOP TYPE V REFRACTOR & GUARD	12" SPIN-TOP TYPE V REFRACTOR & GUARD
40	3/4"	120-277VAC	VM1L4030C2GLG	VM1L4030C2R5G	VM1L4030C2S8G	VM1L4030C2S5G
50	3/4"	120-277VAC	VM1L5030C2GLG	VM1L5030C2R5G	VM1L5030C2S8G	VM1L5030C2S5G

LIGHTING

VM1L SERIES



REDUCED PROFILE – ORDERING INFORMATION



STANCHION 25°



STANCHION STRAIGHT



EZ ADAPTER

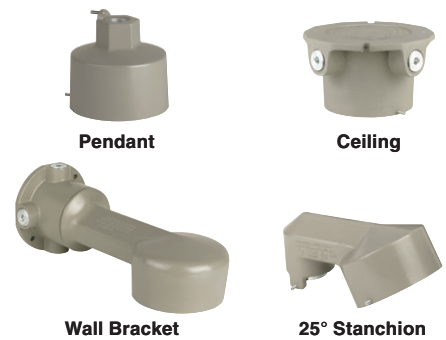
ORDERING INFORMATION

VM1L SERIES 25° STANCHION WITH OPTIC AND GUARD						
WATTS	HUB SIZE	VOLTAGE	GLOBE & GUARD	TYPE V GLASS REFRACTOR & GUARD	8" SPIN-TOP TYPE V REFRACTOR & GUARD	12" SPIN-TOP TYPE V REFRACTOR & GUARD
40	1-1/2"	120-277VAC	VM1L4030D5GLG	VM1L4030D5R5G	VM1L4030D5S8G	VM1L4030D5S5G
50	1-1/2"	120-277VAC	VM1L5030D5GLG	VM1L5030D5R5G	VM1L5030D5S8G	VM1L5030D5S5G

VM1L SERIES STRAIGHT STANCHION WITH OPTIC AND GUARD						
WATTS	HUB SIZE	VOLTAGE	GLOBE & GUARD	TYPE V GLASS REFRACTOR & GUARD	8" SPIN-TOP TYPE V REFRACTOR & GUARD	12" SPIN-TOP TYPE V REFRACTOR & GUARD
40	1-1/2"	120-277VAC	VM1L4030S5GLG	VM1L4030S5R5G	VM1L4030S5S8G	VM1L4030S5S5G
50	1-1/2"	120-277VAC	VM1L5030S5GLG	VM1L5030S5R5G	VM1L5030S5S8G	VM1L5030S5S5G

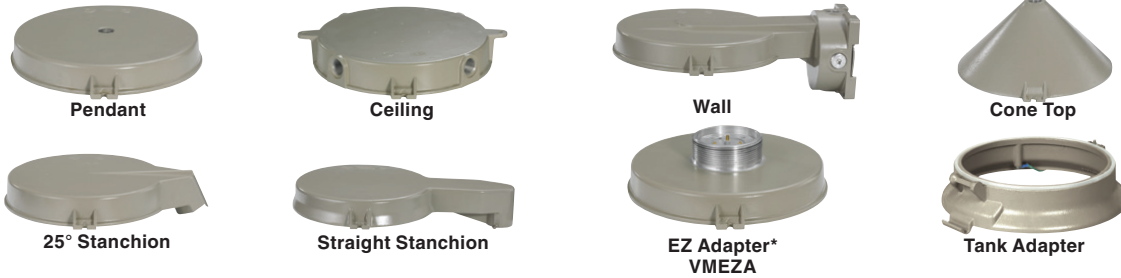
VM1L SERIES EZ ADAPTER WITH OPTIC AND GUARD						
WATTS	HUB SIZE	VOLTAGE	GLOBE & GUARD	TYPE V GLASS REFRACTOR & GUARD	8" SPIN-TOP TYPE V REFRACTOR & GUARD	12" SPIN-TOP TYPE V REFRACTOR & GUARD
40	NA	120-277VAC	VM1L4030EZGLG	VM1L4030EZR5G	VM1L4030EZR5G	VM1L4030EZR5G
50	NA	120-277VAC	VM1L5030EZGLG	VM1L5030EZR5G	VM1L5030EZR5G	VM1L5030EZR5G

MOUNTING BOXES FOR EZ ADAPTER				
CATALOG NUMBER				HUB SIZE
PENDANT	CEILING	BRACKET	STANCHION	
EZA2	EZX2	EZB2	—	3/4"
EZA3	EZX3	EZB3	—	1"
—	—	—	EZD4A	1-1/4"/1-1/2"





REDUCED PROFILE – COMPONENTS



CERTILITE® VM MOUNTING SPLICE BOXES							
HUB SIZE	CATALOG NUMBER						
	PENDANT	CEILING 4 HUB	CEILING 5 HUB	WALL	CONE TOP	25 DEGREE STANCHION	90 DEGREE STANCHION
3/4"	VMA2B	VMX2B	VMX6B	VMB2B	VMC2B	—	—
1"	VMA3B	VMX3B	VMX7B	VMB3B	VMC3B	—	—
1-1/4"	—	—	—	—	—	VMD4B	VMS4B
1-1/2"	—	—	—	—	—	VMD5B	VMS5B
M-20	—	VMX8B**	VMX9B**	VMB8B**	—	—	—

* VMEZA is used between a driver tank and an EZ mount-ordered separately.

** Furnished with Ⓢ non-metallic plugs. Also available: VMB10B wall 4xM25 hubs, and VMB810B 2xM20 side hubs and 2xM25 top/bottom

VM1L LED OPTICS AND ACCESSORIES		
DESCRIPTION	OPTIC LOGIC	GUARD
Globe (glass)	VMG17 (GL)	VMAG17
Reflector (all glass) Type V	VMR175 (R5)	VMAG17
Reflector (spin top) 8" Type V	VZRG1550 (S8)	VMRWG8
Reflector (spin top) 12" Type V	VZRG2550 (S5)	VMRWGS
Reflector polycarbonate (spin-top) 12" Type V	VZRP175 (P5)	VMRWGS
DOME REFLECTOR (Polyester reinforced fiberglass)	VMPSD40	NA
ANGLE REFLECTOR (Polyester reinforced fiberglass)	VMPA40	NA
120VAC Photocell with FS Style Cover	VMFSPC1	NA
208-277VAC Photocell with FS Style Cover	VMFSPC2	NA
3-sided EXIT Accessory (use without guard)	VEXA100B	NA
Tank adapter to Crouse-Hinds® VM Series mounts*	VMCHVM	NA

ORDERING INFORMATION AND AMBIENT SUITABILITY						C1D2		C2D1		L70		
CATALOG NO.	WEIGHT LBS./KG	WATTS	VOLTAGE	AMPS	VMG15 LUMENS	VMR175 LUMENS	40°C	55°C	40°C	55°C	TM-21	CALCULATED
VM1L4005	15.50 / 7.03	40	480 VAC	0.09	5267	5060	T6	T5	T4 (EFG)	60100	270,000	
VM1L4015			347 VAC	0.13								
VM1L4027			12-24VDC	3.33-1.67								
VM1L4030			120-277VAC	0.36-0.16								
VM1L5005	15.50 / 7.03	50	480 VAC	0.10	6162	6427	T5	T4A	T4 (EFG)	72600	278,000	
VM1L5015			347 VAC	0.14								
VM1L5027			12-24VDC	4.17-2.08								
VM1L5030			120-277VAC	0.43-0.18								

OPTICS



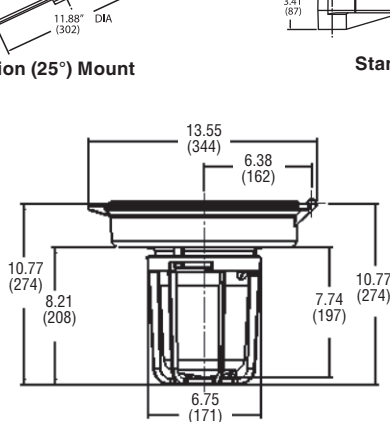
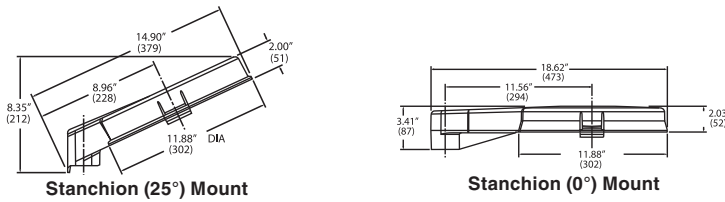
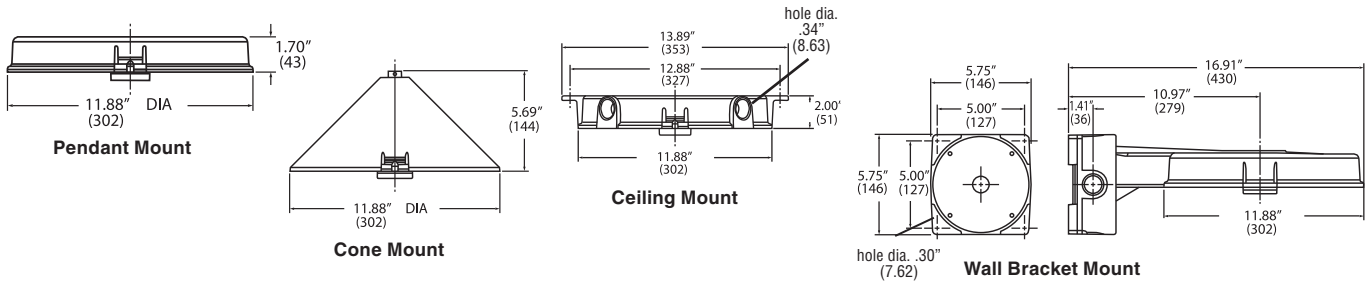
ACCESSORIES



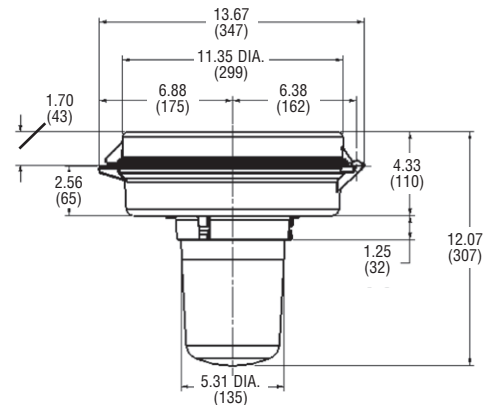
TYPICAL WEIGHTS (LBS.) W/ STANDARD GLOBE AND GUARD - VM1L SERIES			
Pendant 23.00	Ceiling 24.10	Wall 27.50	Stanchion 23.90



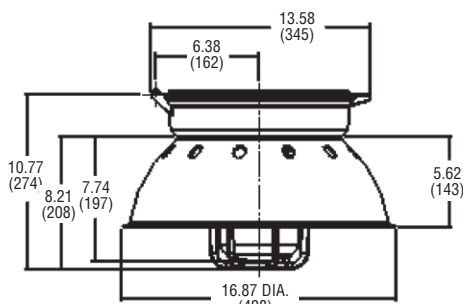
REDUCED PROFILE – DIMENSIONS & WEIGHTS



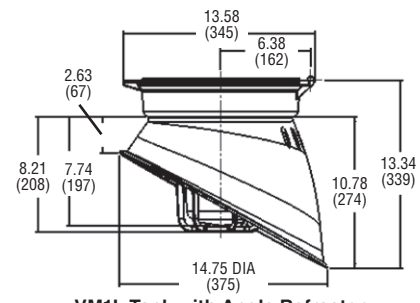
VM1L Tank Globe & Guard



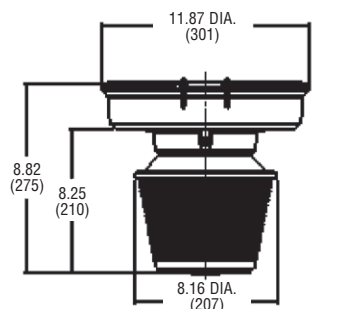
VM1L Tank w/Pendant Mount & Globe



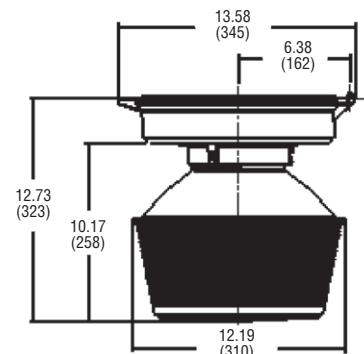
VM1L Tank with Dome Refractor



VM1L Tank with Angle Refractor



VM1L Tank with 8" Spin-top Refractor

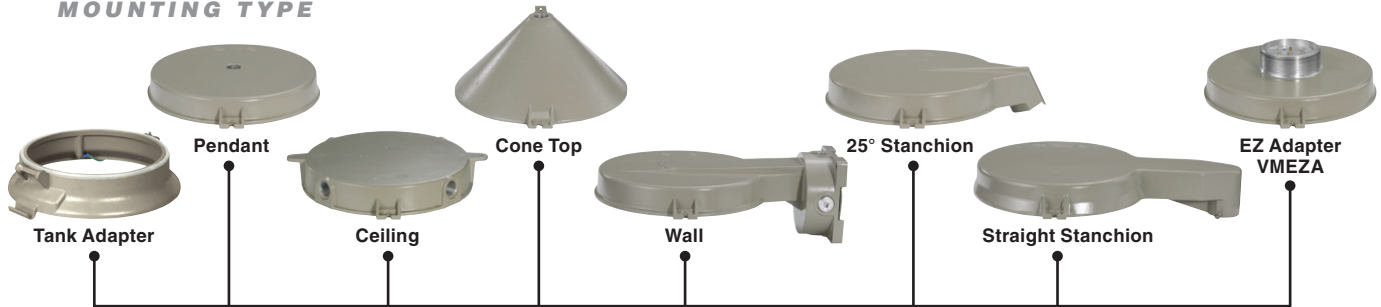


VM1L Tank with 12" Spin-top Refractor



HOUSING FIXTURE ASSEMBLY GUIDE

MOUNTING TYPE



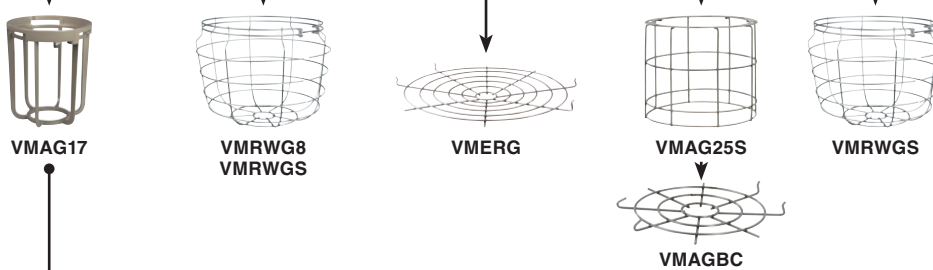
TANK



OPTIC



GUARD



REFLECTOR

