

Raceway
Aluminum Raceway
HBLALU7620 Series Blank End Fitting

HUBBELL

Features

- For closing end of raceway

Ordering Information

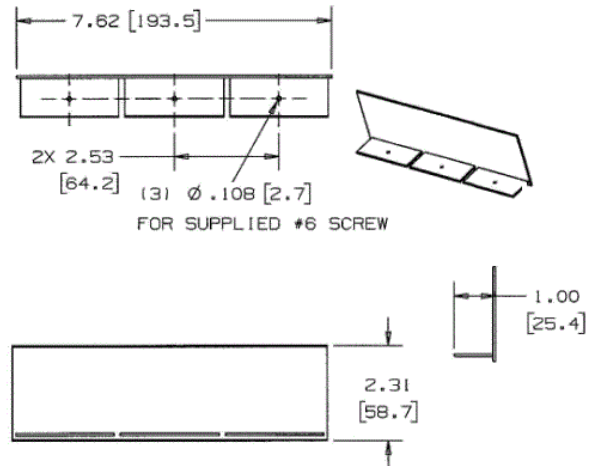
Description	Material	UPC Number	Catalog Number
Blank End Fitting	Anodized Aluminum	783585111070	HBLALU7610B

Listings

UL Listed
CSA Certified

Specifications

Height	2.31"
Width	7.62"
Length	0.20"



Online Resources

Customer Use Drawing
eCatalog
Installation Instructions

Dimensions in Inches (mm)

Hubbell Wiring Device-Kellems • Hubbell Incorporated (Delaware) • 40 Waterview Drive • Shelton, CT 06484

Phone (800) 288-6000 • Fax (800) 255-1031 • Specifications subject to change without notice.

