

Raceway  
Aluminum Raceway  
HBLALU5000 Series Entrance End Fitting

# HUBBELL

### Features

- For feeding raceway, has concentric 1/2 in. and 3/4 in. trade size KOs

### Ordering Information

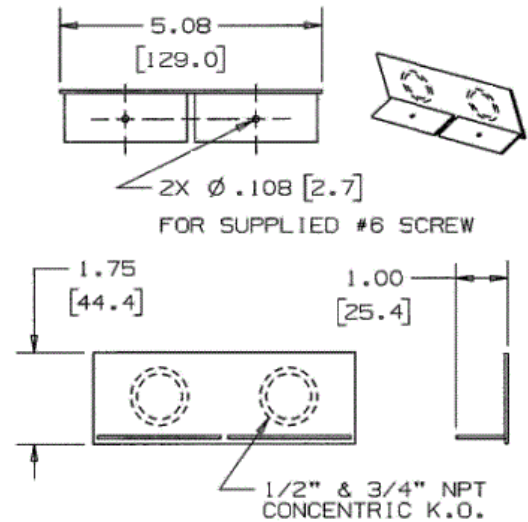
Description	Material	UPC Number	Catalog Number
Entrance End Fitting	Anodized Aluminum	783585110844	HBLALU5010B2

### Listings

UL Listed  
CSA Certified

### Specifications

Height	1.75"
Width	5.08"
Length	0.20"



### Online Resources

Customer Use Drawing  
eCatalog  
Installation Instructions

Dimensions in Inches (mm)

Hubbell Wiring Device-Kellems • Hubbell Incorporated (Delaware) • 40 Waterview Drive • Shelton, CT 06484

Phone (800) 288-6000 • Fax (800) 255-1031 • Specifications subject to change without notice.

