

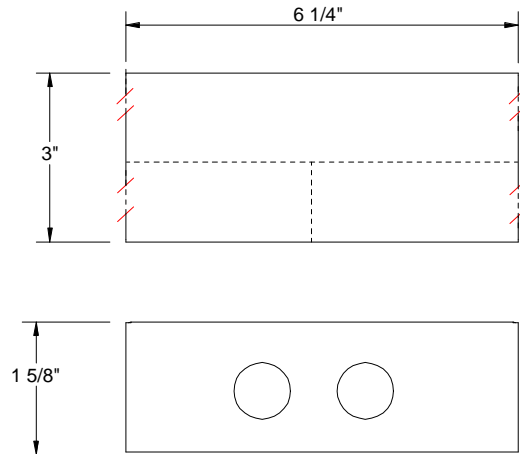
CATALOG NUMBER	TYPE
PROJECT	

ELECTRONIC TRANSFORMER CONNECTION BOX

MODEL ETB



ETB is shown here with a 100W transformer, not included.



Ordering Matrix

Model	Finish	Accessories
ETB	BK	See table below

Ordering Example (model) : ETB

Product Details

Description:	Enclosure to house transformer. Has separate compartments for transformer, line and low voltage wiring. Allows the line voltage connection to be located in a separate compartment.
Catalog Number:	ETB = Transformer box for electronic transformers
Compatibility:	EN-12100-R-AR EN-12150-R-AR EN-24150-R-AR
Knockouts:	6 total. Comprised of the following - 2 on dual compartment side, one for each compartment. 4 (2 on each side) on the short side of transformer side of box. One full sized and one small knockout.
Materials:	Steel enclosure, painted black (BK). One green grounding wire in primary connection compartment.
Accessories:	MTB01 – Terminal Block
Listing:	U.L. listed, File Number E204239. 5 year W.A.C. Lighting product warranty.

Specification Features

- One compartment houses the transformer, another is provided for line volt wire connections and the third for secondary connections. The box has standard size knock outs for BX or non-metallic sheathed cable connectors.
- Has well placed screw holes that can be used as primary mounting locations when the enclosure is going to be mounted on a vertical surface.
- Complies with electrical codes requiring transformers to be housed in enclosures and line voltage connections in a separate enclosure.