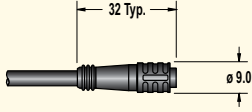

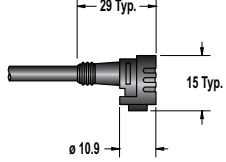


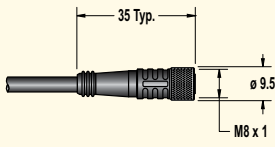

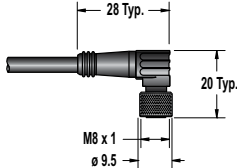
4-Pin Snap-On M8/Pico-Style Cordsets with Shield

Cable: PVC jacket, PUR (polyurethane) connector body, nylon or PUR coupling nut
Conductors: 26 AWG (shielded), gold-plated contacts
Voltage/Current Rating: 125V ac/dc, 2.0 A
Temperature: -40° to +90° C **Environmental Rating:** IP67

Style	Length	Model	Cable Diameter	Dimensions (mm)	Pinout	Used With
Straight	2.00 m	PKG4S-2	4.40 mm		<p>Female</p>  <p>1 = Brown 2 = White 3 = Blue 4 = Black</p>	• QS18U
Right-Angle	2.00 m	PKW4ZS-2	4.40 mm		<p>1 = Brown 2 = White 3 = Blue 4 = Black</p>	

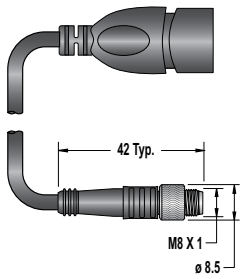
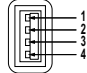
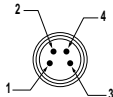
4-Pin Threaded M8/Pico-Style Cordsets

Cable: PVC jacket, PUR (polyurethane) body, nickel-plated brass coupling nut
Conductors: 26 AWG, gold-plated contacts
Voltage/Current Rating: 125V ac/dc, 2.0 A
Temperature: -40° to +105° C **Environmental Rating:** IP67

Style	Length	Model	Cable Diameter	Dimensions (mm)	Pinout	Used With
Straight	2.00 m	PKG4M-2	3.80 mm		<p>Female</p>  <p>1 = Brown 2 = White 3 = Blue 4 = Black</p>	• Q12 • Q20
	5.00 m	PKG4M-5				
	9.00 m	PKG4M-9				
Right-Angle	2.00 m	PKW4M-2	4.30 mm		<p>1 = Brown 2 = White 3 = Blue 4 = Black</p>	
	5.00 m	PKW4M-5				
	9.00 m	PKW4M-9				

4-Pin Threaded M8/Pico-Style to USB Cordsets with Shield—Double Ended

Cable: PVC jacket, PUR (polyurethane) connector body, nickel-plated brass coupling nut on Pico QD end
Conductors: 28 AWG and 24 AWG, gold-plated contacts
Voltage/Current Rating: 60V ac/75V dc, 2.0 A
Temperature: -40° to +105° C **Environmental Rating:** IP67

Style	Length	Model	Cable Diameter	Dimensions (mm)	Pinout	Used With
Straight Pico QD/ USB	0.15 m	PSG-4M-4005-USB	4.80 mm		<p>USB</p>  <p>1 = Red 3 = Green 2 = White 4 = Black</p>	<ul style="list-style-type: none"> • iVu TG & BCR — Remote Touch Screen models • iVu Plus— Remote Touch Screen models
	0.30 m	PSG-4M-401-USB			<p>Male</p>  <p>1 = Red 3 = Black 2 = White 4 = Green</p>	
	0.91 m	PSG-4M-403-USB				
	3.05 m	PSG-4M-410-USB				
	4.88 m	PSG-4M-416-USB				