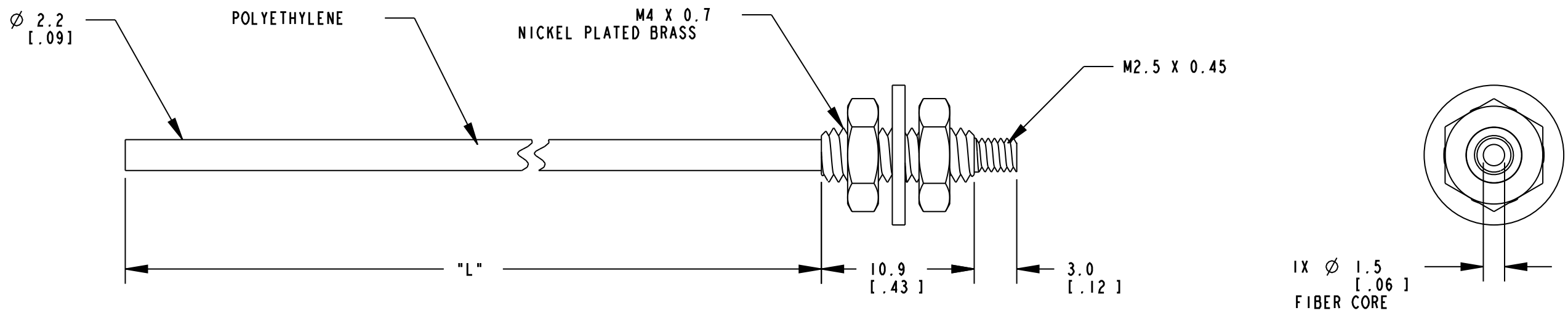



8 | 7 | 6 | 5 | 4 | 3 | 2 | 1

REVISION HISTORY			
REV	DESCRIPTION	DATE	APPROVED



MODEL NO.	"L"	P/N
PIT660U	18288 [720]	51828
PIT615U	5000 [197]	48095
PIT6100U	30480 [1200]	45089
PIT675U	22860 [900]	42889
PIT630U	9144 [360]	39013
PIT66U	2000 [79]	39899

REV.	DESCRIPTION	DATE	INITIAL
Dimensions are Millimeters [inches] TOLERANCES (Unless Otherwise Specified) X : ±2.5mm X.X : ±0.25 X.XX : ±0.12mm [X.X : ±.1"] [.XX : ±.01"] [L.XXX : ±.005"] ANGLE : ±3° *L* = 40mm/Meter [1.5"/Foot]		 BANNER ENGINEERING Corp. 9717 10th Ave. North Minneapolis, MN 55441 Tel # 763-544-3164 Fax # 763-544-3573 www.bannerengineering.com	
This drawing is the property of BANNER ENGINEERING Corp. and is proprietary in general and in detail. Its contents shall not be revealed to outside parties without the written consent of BANNER.			
PIT66U		PLASTIC FIBEROPTIC ASSEMBLY & MOD'S	
8-17-95	I OF I	39899	-

8 | 7 | 6 | 5 | 4 | 3 | 2 | 1