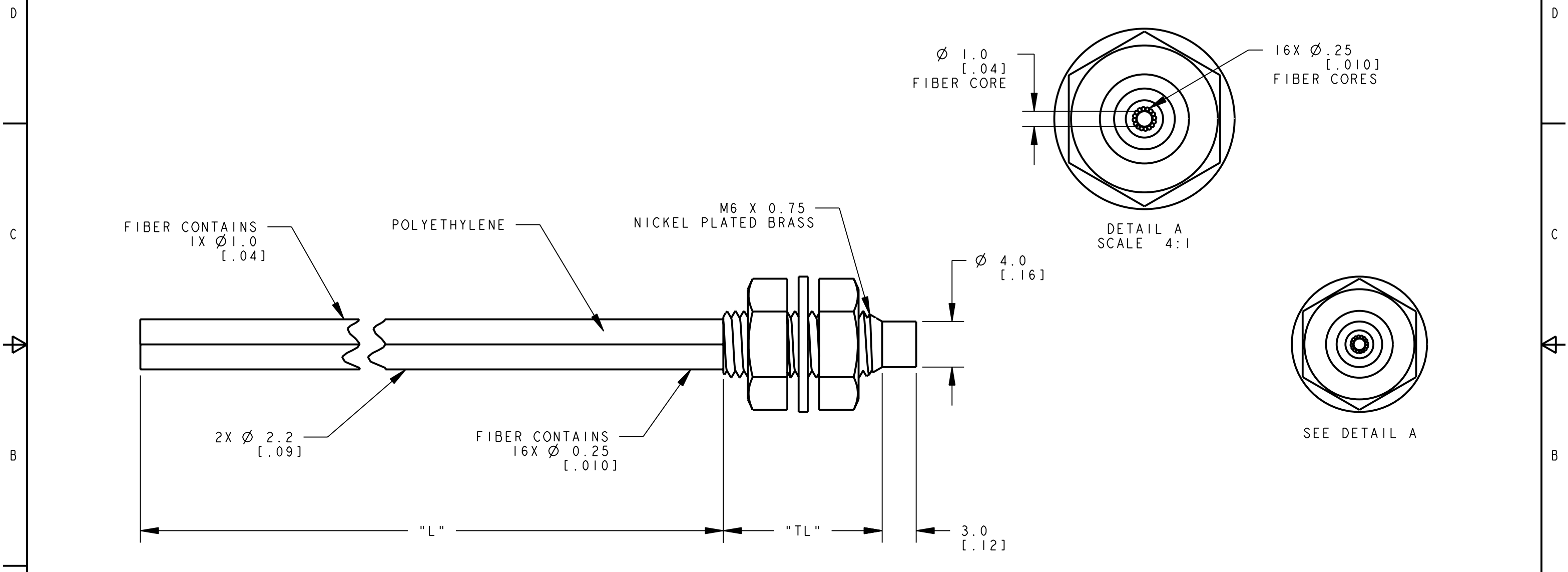



8 | 7 | 6 | 5 | 4 | 3 | 2 | 1

REVISION HISTORY			
REV	DESCRIPTION	DATE	APPROVED



MODEL NO.	"L"	"TL"	P/N
PBCT4100U	30480 [1200]	17.0 [.67]	79506
PBCT46UMI	2000 [79]	25.4 [1.0]	71687
PBCT460U	18288 [720]	17.0 [.67]	51771
PBCT415U	4572 [180]	17.0 [.67]	51769
PBCT430U	9144 [360]	17.0 [.67]	45053
PBCT46U	2000 [79]	17.0 [.67]	35214

REV.	DESCRIPTION	DATE	INITIAL
Dimensions are Millimeters [inches] TOLERANCES (Unless Otherwise Specified) X = ±2.5mm X.X = ±0.25 X.XX = ±0.12mm [X.X = ±.1"] [.XX = ±.01"] [.XXX = ±.005"] ANGLE = ±3° *L = 40mm/Meter [.5"/Foot]		 BANNER ENGINEERING Corp. 9717 10th Ave. North Minneapolis, MN 55441 Tel # 763-544-3164 Fax # 763-544-3573 www.bannerengineering.com	
This drawing is the property of BANNER ENGINEERING Corp. and is proprietary in general and in detail. Its contents shall not be revealed to outside parties without the written consent of BANNER.			
PBCT46U		PLASTIC FIBEROPTIC ASSEMBLY & MOD'S	
5-5-95	I OF I	35214	-

8 | 7 | 6 | 5 | 4 | 3 | 2 | 1